

GENERAL
COLLECTION BOOK
2022/23

SPORT



RADO CAPTAIN COOK



RADO HYPERCHROME



RADO TRUE SQUARE



RADO TRUE



RADO TRUE THINLINE



RADO DIASTAR ORIGINAL



RADO DIAMASTER



RADO CENTRIX



RADO INTEGRAL



RADO CERAMICA



RADO FLORENCE CLASSIC



RADO COUPOLE CLASSIC



RADO GOLDEN HORSE



RADO HYPERCHROME CLASSIC

LIFESTYLE

CLASSIC

CUSTOMER SERVICE

PRODUCT ENVIRONMENT

RADO FEEL IT!

Rado is known as the Master of Materials. We have revolutionised traditional watchmaking, leading the industry by introducing high-tech ceramic, ultra-light high-tech ceramic, colourful high-tech ceramic and Ceramos to our design-led collections. An award-winning designer with numerous prestigious international prizes to its name, Rado is considered the most forward-thinking design player in the watch industry today. Rado is a pioneer and leader, always setting the standard and raising the bar.

At Rado, we're extremely proud of our brand and our new collections. We know how much our customers appreciate what we do and how much of a personal connection they feel to their watches. That's what makes us come to work every day and work as hard as we can in design, production, quality control, customer service, watchmaking, sales, marketing and all the other departments that are integral to the company. It is truly a team effort.

We want to bring some of the closeness, some of the personal and emotional element of what we do to our end consumers. We want to get closer to them - just as their watches are close to their hearts - and offer them unique experiences.

With our Feel It! campaign, we are able to explain what Rado means to us and to those who love the brand. We're also bringing our messages of innovation, materials, design and future focus to a whole new audience of watch lovers. Feel It! is authentic, emotional, vibrant and is a snapshot of Rado now.

As we enter the twenty-third year of the twenty-first century, Feel It! offers a bold, fresh approach to demonstrating the key qualities that have made Rado a firm favourite with watch lovers since our first collection was launched in 1957.

Rado is the only brand in the watch industry to focus on the future and innovation instead of the past and tradition. Feel It! reinforces our status as the Master of Materials and the most forward-thinking design player in the watch industry today.

As we move forward in this new decade, the key Rado focus areas of materials, design and innovation will remain the same. The mission to set the standard for the watch industry, to lead and pioneer remain unchanged. The 'it' in Feel It! covers a range of elements that have helped make Rado a major global brand. Materials, innovation, technology, history, lightness, smoothness, design, warmth, energy, agelessness, durability, vibrancy, style, fashion,

colours, the past, present and future are all part of the compelling Rado story Feel It! represents.

As you look through our 2022/23 Collection Book, we're confident you'll see these consistent and compelling brand values in our product offering.

Rado is truly the brand of the future and we want you to experience it. We want you to Feel It!

INNOVATION

1957 – 2023



Rado True Square Skeleton

MANAGING THE IMPOSSIBLE

It is perhaps the greatest adventure of our time; comparable with the explorers of old discovering new cultures. Venture into unknown territory and you have to find your own way. All you leave behind are footprints others will follow. A unique pioneering achievement in the truest sense of the word. Just like Rado.

Rado is always breaking new ground. Curiosity and the spirit of discovery are the core of our DNA, magically pulling us further into the future in terms of design, materials and technology.

On our way we make the impossible possible. Limits are stretched, new standards set, with watches known for their hardness, durability and lightweight. This combines long-lived beauty with total comfort. We repeatedly cause a stir with our groundbreaking achievements.

In 1962 Rado did pioneering work with scratch-resistant sapphire crystal and carbide - the result the Rado DiaStar 1, the first scratch-resistant watch. In 1986 the premiere of our high-tech ceramics caused a small revolution in watchmaking. This robust, light and smooth material paved the way for a new dimension in possibilities. This started with

the Integral in 1986, then in 1990 we produced the Ceramica, the first fully high-tech ceramic watch. Further innovations followed such as plasma high-tech ceramics, ultra-light high-tech ceramics and Ceramos. We have brought colour into our lives with the development of a vibrant palette of high-tech ceramics, including nine shades of Le Corbusier's Architectural Polychromy. They decorate our True Thinline, which premiered in 2011 with its ultra-slim monobloc case making it one of the thinnest ceramic watches of all. Our watches are special and so is the way we make them. Rado has more than 30 patents for manufacturing processes and assembly techniques - a record that confirms our reputation as a "Master of Materials".

We are proud of the journey Rado has taken, allowing us to share our groundbreaking achievements and designs with watch enthusiasts around the world. We cannot wait to break further new ground and give it a name: Rado.

1917



SCHLUP & CO IS FOUNDED

Schlup & Co. clockwork factory was founded in Lengnau.

1957



RADO GOLDEN HORSE

Presentation of the first watch collection under the Rado brand name.

1960



RADO CAPE HORN 300

One of the first Rado watches to use this experimental case shape. Rado pioneered the 'TV shape' that became mainstream in the 1970s.

1962



RADO 1962 CAPTAIN COOK

An early Rado icon recognizable for its distinctive hands, box-shaped glass and turning bezel.

2011



RADO D-STAR

The first watch in Ceramos™, a titanium carbide-based composite. This injectable material paved the way for unprecedented designs and taut lines.

2011



RADO TRUE THINLINE

Rado's thinnest ceramic watch, with a thickness of less than 5 mm for the quartz models. The first watch with a ceramic monobloc case, the ultra-slim quartz movement is less than a millimetre thick. The entire structure of the watch was redesigned in order to reduce its size.

2012



RADO HYPERCHROME

The complex monobloc case of this Rado model represents a breakthrough in technology as well as a step forward in design. Lightweight, extremely comfortable and eye-catching, it is the ultimate everyday all occasion timepiece.

2013



RADO ESENZA CERAMIC TOUCH

The first high-tech ceramic watch to use touch technology. Crownless, the watch is set using touch alone.

1962



RADO DIASTAR 1
(THE ORIGINAL)

The first scratch-resistant watch. A revolution in watch-making history. Tungsten carbide (hardmetal) case and sapphire crystal.

1986



RADO INTEGRAL

The first Rado watch to use high-tech ceramic. The curved, edge-to-edge metallised sapphire crystal is affixed invisibly.

1990



RADO CERAMICA

The first watch to be made using black high-tech ceramic for the case. The bracelet and case form a single unit. A design icon.

1991



RADO COUPOLE

The first Rado watch made using white high-tech ceramic.

1993



RADO SINTRA

The first Rado watch to be made using a titanium carbide based composite.

2015



RADO HYPERCHROME
BROWN CERAMIC

The first Rado watch made using brown high-tech ceramic.

2016



RADO HYPERCHROME
ULTRA LIGHT

Crafted from a trio of incredibly light materials: silicon nitride ceramic, anodized aluminium and hardened titanium. A 56-gram ode to design and technology.

2017



RADO TRUE THINLINE
COLOURS

The first Rado high-tech ceramic watches and bracelets using Rado's signature colour scheme of polished blue, brown and lush green.

2017



RADO TRUE SHADOW

The innovative dial design of the True Shadow changes from opaque to transparent in response to UV light. Co-creation with Japanese fashion designer Kunihiko Morinaga.

2018



RADO DIAMASTER
CERAMOS

For the first time in 2018, Rado injected rose gold coloured Ceramos™ to create the monobloc case of the new slim DiaMaster Ceramos automatic models.

1998



RADO ANATOM

It is the first RADO watch that exhibits a curved ergonomic form in order to embrace the wrist with anatomical perfection.

1998



RADO CERAMICA

The first watch in plasma high-tech ceramic. White ceramic is transformed through the plasma carburising process. The ceramic takes on a unique warm metallic shine – without the use of metal.

2002



RADO V10K

The first series-produced watch made using high-tech diamond to achieve a hardness of 10,000 Vickers. A synthetic layer of nanocrystalline diamond coats the world's hardest watch.

2009



RADO r5.5

Designed by Jasper Morrison. The case of the r5.5 features the first ever use of bracelet attachments with concave surfaces.

2019



RADO CAPTAIN COOK

Reinterpretation of a Rado classic with box-shaped sapphire crystal, high-tech ceramic bezel and automatic C07 movement with up to 80 hours of power reserve.

2020



TRUE SQUARE OPEN HEART

The first square watch with a monobloc case made from high-tech injection-moulded ceramic. We have given one of the characteristic design elements of the Rado repertoire, the angular case, a contemporary update: with high-tech injected ceramic, gently rounded corners and the fascinating glimpses into a finely skeletonised dial.

2021



CAPTAIN COOK
HIGH-TECH CERAMIC

Past meets 2021. Rado's iconic Captain Cook is unveiled for the first time in the Master of Materials' preferred material: High-Tech Ceramic. It is presented in a 43 mm case size and features such stellar achievements as the premium Rado calibre R734 and a Nivachron™ hairspring.

2022



DIASTAR ORIGINAL

An innovation in 1962 celebrates its 60th anniversary in another of Rado's preferred materials – Ceramos™. A truly iconic shape redesigned in collaboration with Swiss Designer Alfredo Häberli.

* Not actual sizes

RADO MATERIALS



Mix of different materials

MATERIALS

Rado watches certainly look good, but that's not their only quality. They also offer an unrivalled wearing experience. This is ensured by sophisticated design and exceptional materials – the secret of their very personal DNA.

With an unwavering pioneering spirit and a genuine desire for technical innovation, Rado has never restricted itself to a single class of materials in watchmaking. No wonder. After all, Rado was the first watchmaker to explore the fields of ceramics and composite ceramics and bring them into the watch industry. Many have followed in our footsteps since then. We are proud to continue to pave the way with material innovations that set new standards and push the boundaries.

MATERIAL CLASSIFICATION

The mechanical and physical properties of materials depend significantly on the electron structure of the atoms of which they are composed and on the nature of the bond between these atoms. They are thus divided into three superordinate groups: metals (metallic bond), ceramics (covalent bond or ionic bond) and polymers (hydrogen bond). Composite materials are also possible between all of the groups.

METALS

- stainless steel
- carbon diffused steel
- gold
- titanium
- brass
- bronze

- hardmetal
- Ceramos™

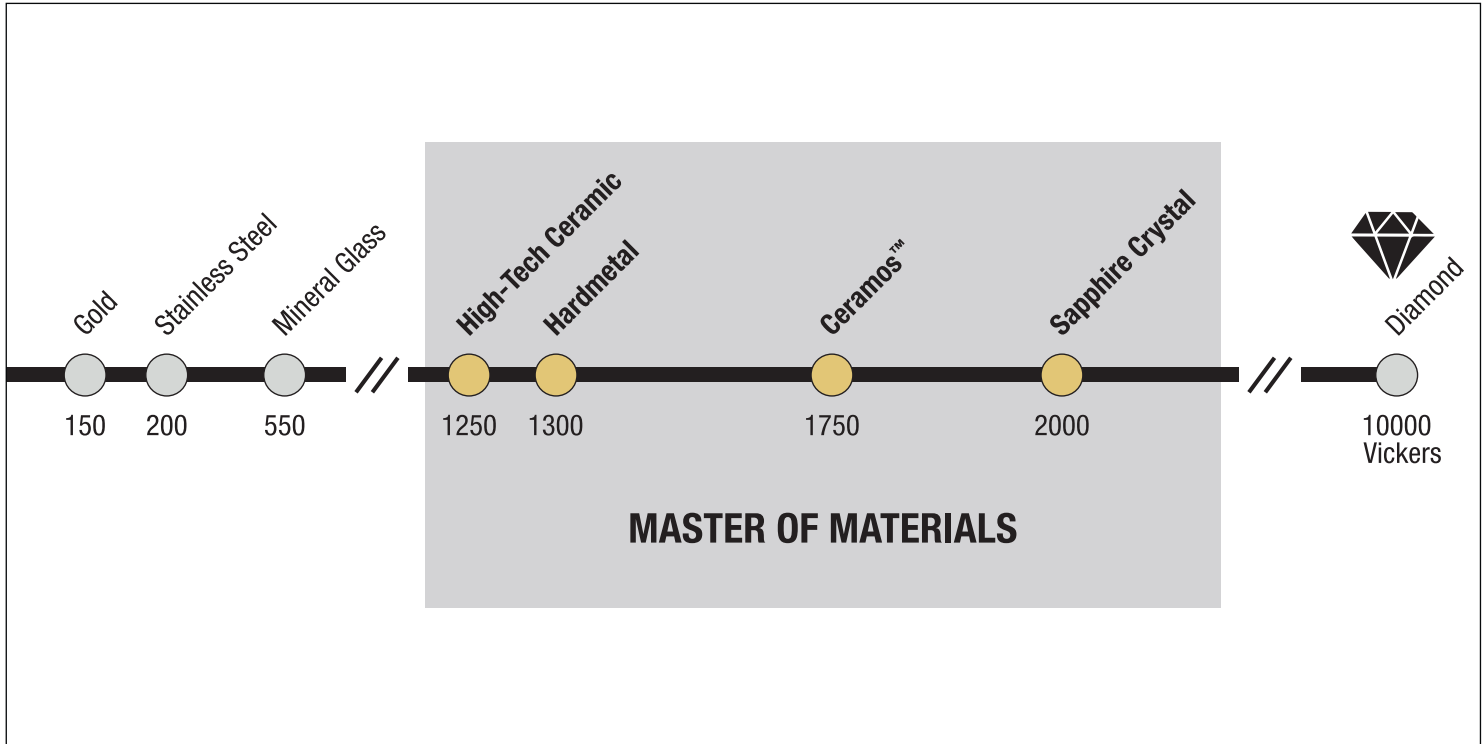
CERAMICS

- high-tech ceramic
- ultra-light ceramic
- high-tech diamond
- plasma treated high-tech ceramic
- sapphire
- DLC
- TiN, TiC (PVD)
- precious stones

- high-tech composite
- mother of pearl

POLYMERS

- leather
- rubber



HARDNESS SCALE

The Vickers scale is used to indicate hardness. The higher the value, the greater the resistance to scratches. A material of a given hardness can only be scratched by a material of equal or greater hardness.

MASTER OF MATERIALS

Traditional watchmaking materials such as gold, mineral glass and stainless steel have a hardness rating of less than 1,000 Vickers. Our signature high-tech ceramic has a hardness of around 1,250 Vickers and Ceramos™ is even harder, at around 1,700 Vickers. The extreme hardness of Rado high-tech materials gives them a long service life and incomparable brilliance.



Polished and matt-finished surfaces on Rado Captain Cook

RESISTANCE OF HARD MATERIALS TO IMPACTS AND SCRATCHES

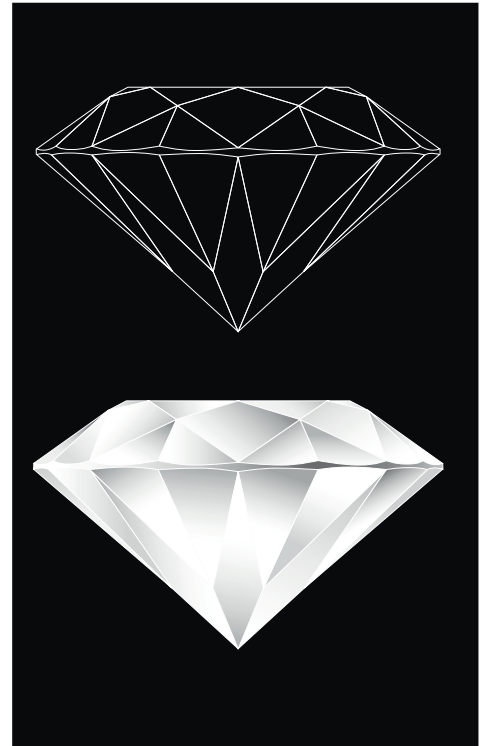
Please note: Rado watches are hard, but not indestructible. Although the high-tech materials used by Rado are scratch-resistant, our watches must be handled with care. Dropping and severe impacts should be avoided at all costs – this could cause the material to break. And even ceramics and hard-metal can be scratched by materials of equal or greater hardness, even though very few materials with a hardness of over 1,000 Vickers can be found in everyday life.

MATT AND SATIN-FINISHED SURFACES

The play of light on matt or satin-finished ceramic surfaces emphasises the shape of the watch and brings out the silky texture of the material to best effect. Due to the hardness of the material and the matt or satin surface structure, contact with softer materials may cause deposits resembling fine scratches to form. They can, however, be completely removed with a hard eraser in most cases. Depending on individual wearing habits, the edge surfaces may also look as though they have been lightly polished over time.



Black diamonds on dial and white diamonds on bezel



Full cut (brilliant): 58 facets



DIAMONDS

It could be said that diamond is Rado's natural ally. After all, the coveted 'king of gemstones' is considered the hardest natural substance on Earth. This makes it a real super material that fits perfectly into the portfolio of the 'master of materials'. In addition to its great hardness, diamond is known for one thing above all else: its incomparable sparkle, which it gains from the right cut.

DIAMOND QUALITY

Natural diamonds often contain impurities and inclusions. Only a very small proportion of the extracted stones is sufficiently transparent and white to be used in jewellery. Their quality is determined by four criteria, the four Cs: carat, clarity, colour and cut. Rado only uses Top Wesselton diamonds, the purity of which is usually VS-SI ('Very Slightly Included') – stones with very small inclusions that

are invisible to the naked eye. The number of carats, in turn, provides information about the weight of the diamond: One carat is equal to 0.2 grams. Almost all of our diamonds are brilliant cut (full cut) or, in the case of diamonds with a small diameter, 8/8 cut.

By the way: Rado only buys diamonds that meet the Kimberley Process specifications. This agreement prevents the trade in conflict diamonds.

JUBILÉ

The French term 'Jubilé' is used to describe watches that are set with diamonds or other precious stones. Each of these watches is accompanied by a certificate of authenticity, which contains detailed information on the number, type and weight of the gemstones used



| True Thinline x Great Gardens of the World



HIGH-TECH CERAMIC

When Rado first introduced a watch with high-tech ceramic in 1986, it marked the beginning of a remarkable success story. This groundbreaking material, which had never been used in watchmaking in this way before, conquered the hearts – and wrists – of watch enthusiasts around the world with its scratch-resistant, lightweight and skin-friendly qualities. Its glossy appearance and smooth surface also made it a design element as modern as it is inspiring.

Ceramic is an inorganic, non-metallic material that is consolidated by a firing process at high temperature. This sought-after material has a long history: the word 'ceramic' is derived from the Greek word 'keramos', and the first use of bowls made from fired clay dates back to around 9000 BC.

The biocompatible high-tech ceramic we use in our watches today was developed in the second half of the 20th century. What sets this material apart is its high-purity starting materials (e.g. aluminium oxide, zirconium oxide, silicon nitride) in powder form

with a perfectly uniform grain size. It is an extremely pure and finely calibrated artificially produced substance. Its advantage compared to conventional ceramics: in contrast to porous, fragile porcelain, high-tech ceramic is a compact, high-density material. Therefore it does not have to be specially enamelled to achieve a high-gloss finish.

Ceramic is also an excellent colour carrier. Introduced by Rado in 1986, the high-tech ceramic with its deep black sheen has had a lasting impact not only on watch design in general but also on the image of our brand. At the same time, it has paved the way for a multifaceted colour palette, to which we continue to add new tones – most recently with nine shades of the famous 'Polychromie Architecturale' by Le Corbusier. Coloured ceramics are created by adding pigments that can withstand the high temperatures during sintering and do not affect the structure of the high-tech ceramic – it goes without saying that they must also be non-toxic. Every new colour is a real breakthrough and certain nuances cannot be realised while others are yet to be realised.

IN PERFECT SHAPE

The current technical processes for shaping – injection moulding – enables the most complex shapes to be created with high precision. The starting material consists of ultra-fine zirconium oxide powder with a grain size of only around one micrometre, i.e. a thousandth of a millimetre.

The process of creating our high-tech ceramic elements – whether for the central part of the case, bracelet links, backs or crowns – is demanding and complex: the ceramic powder is added to a molten plastic material for shaping. The resulting paste is then solidified and granulated. The granulate is melted again and injected under high pressure (1,000 bar) into a high-precision mould. After cooling, the moulded elements are removed from the mould. The plastic is then dissolved using a chemical process. The individual pieces are then heated to 1,450°C in a special oven. During this sintering process, the powder particles are joined together to eliminate porosity and achieve full dense, solid elements. These lose around 23% of their size in the process. Following the sintering, the elements have their final dimensions and mechanical properties (hardness of 1,250 Vickers). Critical dimensions for assembling the watch can be altered by machining using diamond tools. The elements are then carefully polished, brushed or matted to give them their final appearance.



Plasma ceramic case and bracelet



Side view of a box-shaped sapphire crystal



PLASMA HIGH-TECH CERAMIC

Our pioneering plasma high-tech ceramic combines the qualities of high-tech ceramic with the unique shine of metal – without using metal.

This unique process enriches completely finished white high-tech ceramic elements with carbon, giving them a metallic finish.

They can have a polished, brushed or matt surface, which allows for a wide variety of looks.

MODERN ALCHEMY

What sounds like magic is state-of-the-art technology: methane and hydrogen are activated under vacuum by a high-energy plasma at a temperature of 20,000°C. The activated molecules subsequently react with the ceramic arranged around the plasma column. Atom by atom, the oxygen of the zirconium oxide is substituted by carbon, which leads to the formation of a layer of zirconium carbide, another type of ceramic. The original white colour of the ceramic changes to a warm metallic grey. This changes the chemical composition of the surface without affecting the structure or properties of the ceramic. The plasma-treated ceramic thus offers the same hardness, scratch resistance, lightness and hypoallergenic properties as other high-tech ceramics. As the layer is created from the material of the piece itself (and is not added), it will not fade over time, maintaining its fascinating high-tech shine for years to come.

SAPPHIRE CRYSTAL

After diamonds, sapphire crystal is one of the world's hardest materials and is characterised by its high degree of transparency – no wonder, then, that it has long been one of Rado's declared favourite materials. In fact, Rado was the first manufacturer to use sapphire crystal on a large scale for a watch – for the Rado Dia-Star 1 in 1962 – and, with this step, set lasting standards in the industry.

Sapphire is also closely linked to the brand in aesthetic terms, as it can be an important part of the design. This is the case, for example, with unconventional design, when the sapphire crystal extends over the entire case: this "edge-to-edge" sapphire crystal is additionally provided with a metallised area – another Rado speciality. We also use faceted sapphire crystal on selected models. Since the 1960s, Rado has used a wide variety of facets that subtly and elegantly play with light, bringing out the aesthetic dimension of this extremely resistant material. The sapphire used for all of our glasses is manufactured synthetically using the Verneuil process, but has exactly the same structure as natural sapphire.

THE VERNEUIL PROCESS

Ultra-fine aluminium oxide powder is mixed with hydrogen and oxygen in a flame at a temperature of around 2,000°C. The molten aluminium oxide particles hit a monocrystalline substrate – the crystal nucleus – and assume its arrangement during solidification. The upper part of the cylinder always remains liquid. The substrate is slowly removed from the furnace, resulting in a cylindrical monocrystalline sapphire called a boule. It takes around 8 hours to create a sapphire boule measuring 20 cm in length. The sapphire boules are then stabilised at very high temperatures for several days to release internal tension.

The production of watch glasses is a long and difficult shaping process. The boules are mounted on a drum and sawn into discs with a diamond saw. The glass is then given its definitive external shape, which requires the utmost precision. Due to its extreme hardness, all machining and grinding processes must be carried out using diamond tools.

ANTI-REFLECTIVE COATING

Some Rado watches are equipped with sapphire crystal that has an anti-reflective coating. This anti-reflective coating consists of superimposed transparent layers with different refractive indices, which significantly reduce the light reflections on the glass – thus ensuring optimum readability and transparency.



Metallised circle on sapphire crystal



Rado DiaStar Original bezel in hardmetal



METALLISATION

Our innovative metallisation gives the scratch-resistant and highly transparent sapphire crystal additional colour. Depending on the design and model, this can thus pick up on the metallic sheen of the case or bracelet – a sophisticated component that not only brings colour into play but also enhances a flowing silhouette.

Metallisation involves depositing a fine layer of metal – or a metal compound – onto the element to be coated in an evaporator under vacuum. Its colour depends on the type of metal compound: pure or alloyed gold for yellow shades, chrome or palladium for neutral metal colours and chromium oxides for black. The metal compound is vaporised in the lower part of the vacuum chamber and condenses on the entire lower surface of the sapphire crystal glasses to be coated, which are placed on substrate holders in the upper part of the vacuum chamber. Hundreds of glasses can thus be treated simultaneously in one operation.

As this process involves metallising the entire sapphire crystal, an area must then be made transparent so that the dial is visible later on. This structuring is carried out using a photolithographic process in which the coated areas to be preserved are protected and the others are dissolved in a chemical bath that varies according to the evaporated material. The process can be repeated for two-tone metallisation.

HARDMETAL

This is how it all began at Rado in 1962 in terms of high-tech materials. Hardmetal is a composite material consisting of a ceramic – tungsten carbide – and a metal binder. The excellent mechanical properties of this compound combine the extreme hardness of the ceramic with the high toughness of the metal.

Hardmetal was originally developed in the early 20th century by the machine industry for tool manufacture. Rado had the pioneering idea of using this material to manufacture watch components to create a watch with unparalleled resistance. The idea became a reality in 1962 with the Rado DiaStar (The Original) – an icon for the brand.

Hardmetal is shaped in the same way as high-tech ceramic. The finest tungsten carbide powder with a metal binder is mixed with a plastic, granulated and then formed by means of injection moulding. The hardmetal is sintered under vacuum at a temperature above the melting point of the metal binder. During this process, the metal liquefies, and the element obtains its final density and hardness and shrinks. The surfaces are then mechanically machined and polished on diamond wheels, which gives the elements their characteristic high-gloss finish.



Ceramos is a mix of 90 % high-tech ceramic and 10 % metal alloy, features a colorful sheen that is a part of the material and will never fade or lose its shine



CERAMOS

Ceramos™ is an innovative composite material. It combines the hardness properties of ceramics (around 90 % titanium carbide) with the toughness and lustre of a metal alloy – in other words, the best of both worlds. In a sense, Ceramos™ is a further development of hardmetal: it offers an improved scratch-resistance and has significantly lower specific weight.

At the beginning, it was not possible to shape this material using injection moulding. Rado used it for the first time in 1993 when the Rado Sintra product line was introduced, where it was pressed. In 2011, Rado developed a technology to make this material injectable. This injectable version is called Ceramos™. Its flexibility enables new design approaches as well as the efficient production of elements that are polished on grinding wheels. Machining operations can be kept to a strict minimum by injection moulding a preform. The last product to benefit from this advanced material is Diastar Original on the occasion of its redesign in 2022.

COLOURS

Other metallic colours can be created by changing the composition of the ceramic component and/or the metal component. For example, titanium nitride (TiN) with a natural golden appearance is used for gold-coloured Ceramos™, giving the material its colour. A rose gold tone was introduced in the Rado HyperChrome product lines in 2012.

NEW FINISHES

The Ceramos™ bezel of the Diastar Original anniversary edition combines a high-gloss polish with a fine satin-brushed finish for a refined industrial look.



The hardmetal bezel of the Rado Diastar Original is coated in titanium nitride using the CVD process



CVD

A gold watch that won't scratch? Rado did this back in 1972 and caused a sensation. It was made possible by chemical vapor deposition, CVD. This process enables hard coatings to be produced that offer excellent adhesion – and a brilliant appearance.

During the CVD (chemical vapour deposition) process, a thin, solid layer is left on the substrate material. It is created at temperatures of around 900°C by depositing a gas mixture that reacts with the surface of the material to be coated. In this way, Rado creates a titanium nitride layer – a ceramic that is characterised by its natural golden colour and great hardness.



| Classic stainless steel bracelet on a classic designed watch

**ST.
STEEL**

STAINLESS STEEL

Stainless steel is found in all areas of daily life. And we at Rado also appreciate its qualities: stainless steel is corrosion and temperature resistant, durable and robust.

Steel is an iron-based material with a chromium content of at least 11 %, which protects the material against corrosion. Rado uses stainless steel 1.4435 as standard for all external watch components. This is a high-quality austenitic, non-magnetisable steel comprised of 18 % chromium, 14 % nickel, 3 % molybdenum and a very low percentage of carbon, which makes it particularly resistant to corrosion.



| Bronze alters when exposed to air and humidity, a natural process that can lead to a unique patina

Bronze

BRONZE

Bronze is an unusual and rare material for a watch case. But this is not the only reason why it is of particular interest to Rado. Its metallic hue attracts all attention and gains an individual character with each passing year. Patina makes each bronze case unique – and thus a real witness to history.

Bronze, like ceramic, is a material of particular importance for the history of mankind. It is considered to be one of the first man-made metallurgical alloys, which was first used to make weapons, as well as jewellery and figurines. Bronze is based on copper and may contain various other elements, which can be used in particular to harden the material – the most common compound is a copper-tin alloy (CuSn); it is used for the brancards of the Rado Hyperchrome. Rado uses a hypoallergenic copper-aluminium alloy – used in marine applications for boat propellers – for its bronze watch cases, such as the Captain Cook.



| The PVD coated steel case of a Rado Coupole Classic

STEEL	Ti
PVD	PVD

PVD

A PVD (physical vapour deposition) coating gives the watch colour and additional protection: the process allows for the application of various types of layers by vapour deposition of the coating material under vacuum.

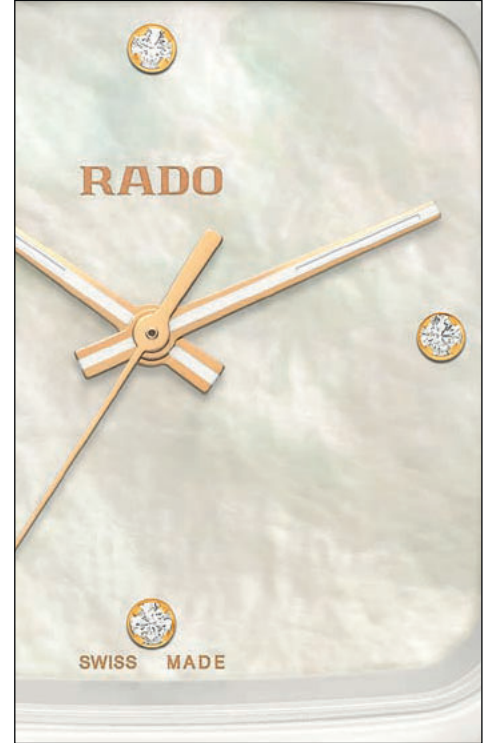
It is the ideal method to create hard coatings based on titanium carbide (TiC) for a black colouration or based on titanium nitride (TiN) for a natural gold-coloured appearance; or to create multiple coatings based on titanium carbonitride (TiCN) and real gold combined with TiN for a rose-gold coloured appearance on a metallic substrate.



Titanium screw-down case back



Numerous manual operations are required to produce a leather strap



Mother of pearl dial: each piece is unique



TITANIUM

Titanium is a light metal (density of 4.5), 45% lighter than steel, but has a similar mechanical strength. Titanium is also extremely corrosion-resistant and hypoallergenic.

Rado uses titanium as standard to manufacture the folding clasps on its watch straps (with a few exceptions) and for certain other watch components such as case backs.

The most commonly used material is grade 2 titanium, a pure titanium with small amounts of oxygen, which contributes to the increased hardness of the metal. Titanium is usually microblasted and has the typical dark grey titanium colour. Grade 5 titanium is used for certain polished titanium clasps. This is an alloy of titanium, aluminium and vanadium (Ti_6Al_4V) with excellent properties, which is also used in aerospace engineering and medical technology.



LEATHER

A leather strap gives the watch character and develops a distinct patina over time. But it can do more than just look good. Leather is an elegant material of animal origin, which is characterised by its high level of resistance and flexibility. Rado almost exclusively uses calfskin, sometimes textured, to make its strap and does not use any exotic animal skins.

Tanning, i.e. the processing of animal skins to stabilise them and turn them into leather, is a long and complex process that can involve hundreds of mechanical and chemical working stages. During processing, the leather can be dyed practically any desired colour and given the characteristic textures of another animal. The straps' production by cutting, shaping, lining and sewing the raw leather is also a long and complex process. Like all other companies in the Swatch Group, Rado strictly adheres to the Convention on International Trade in Endangered Species of Wild Fauna and Flora (CITES).



MOTHER OF PEARL

Shimmering, rare, precious: mother of pearl has long been one of the most sought-after materials that nature has to offer. No wonder – after all, its individual grain is absolutely unique and every piece is one of a kind.

Mother-of-pearl is a composite of organic and inorganic materials, which certain types of shell form on the inside of their shells. The material is highly resistant and naturally dazzles. Its structure is never the same, which is why mother-of-pearl lends uniqueness to every dial.



| Super-LumiNova® offers perfect readability by night



| ISO 6425 tested diver's watch



| Indicated on the back of the case or on the dial, Water resistance is the term used to indicate the amount of pressure a watch can withstand under water at a specific depth without leaking or losing accuracy



SUPER-LUMINOVA®

This high-quality luminous material, which is completely harmless to health, has been used by the Swatch Group since the 1990s. Its hidden power is released in the dark: phosphorescent pigments that store light and release it as a clearly visible shimmer.

To ensure that the time remains easy to read in the dark, a luminous material is often applied to the dial, the indexes or the hands. This way, it ensures optimum readability in all conditions, with a fine shimmer that usually lasts for several hours and slowly fades – until it is “recharged” by the light for its next use. By the way: the colour of the luminescence in the dark – usually green or blue – has no connection with the colour of the luminous material in daylight.



DIVER ISO 6425

The Captain Cook High-Tech Ceramic Diver doesn't just look like a diver's watch, it is a genuine DIVER. The difference lies in the ISO 6425:2018 certification. Every watch is tested under extreme conditions to ensure it meets all ISO standards. The unidirectional rotating bezel with high-tech ceramic insert features numbers, markers and triangle clearly highlighted in white Super LumiNova® in order to facilitate legibility even under the darkest of conditions. The 300 meter water resistance guarantees that you are ready to go, wherever your next adventure takes you.



WATER RESISTANCE

Dust and moisture – or even water – are the natural enemies of a watch's functionality. For this reason, all Rado watches have a water resistant construction. Each individual watch must successfully demonstrate its water resistance in a test according to ISO standard 22810 – only then is it released for sale.

The air pressure at which the watch was tested is engraved on the case back, together with the theoretical value of the corresponding water depth (in brackets).

- 3 bar (30 m)
- 5 bar (50 m)
- 10 bar (100 m)
- 20 bar (200 m)
- 30 bar (300 m)

These different degrees of water resistance are all perfectly adequate for everyday use: walking in the rain, washing your hands, showering, even light swimming without immersion.

However, increased water resistance requires a reinforced construction with greater mechanical rigidity. This makes the watch less sensitive to stresses when worn, especially mechanical shocks, and thus all the more sporty.

Nevertheless, water resistance is not a permanent condition. It can be affected by the natural ageing process of the seals or unintentional impacts. We therefore recommend having the water resistance of your watch checked every 12 months by one of our official service centres.



Monobloc case



Oscillating weight of a Rado automatic movement



MONOBLOC CASE

Our one-piece monobloc ceramic case is a work of art in itself. Its very design required a complete rethink: the goal was to create an ultra-thin ceramic watch less than 5 mm in height. We succeeded. The premiere of the True Thinline in 2011 with its revolutionary ultra-thin monobloc case changed the design of Rado ceramic watches forever.

Before then, ceramic elements were primarily designed to look good and protect the watch from wear and tear. However, water resistance and the mechanical integrity of the watch were ensured by a concealed metal container to which all other components were attached: the sapphire crystal, case back and strap.

The monobloc design dispensed with this double construction in favour of a solid ceramic case that would take care of everything. This increased confidence in ceramic is rewarded by a simplified construction and a significant space saving, which makes the most unusual designs possible. Since then, all new Rado products have been designed with this monobloc construction.

MOVEMENTS

Rado uses only high-quality quartz or automatic movements of Swiss Made quality from its sister company ETA.

QUARTZ

A quartz movement uses a miniature quartz resonator in the form of a tuning fork as a time reference. As quartz is a piezoelectric material, it allows this mechanical vibration to be coupled to an electrical frequency. On this basis, an integrated circuit controls a micromotor that is connected directly to the hands. A battery supplies the circuit with energy. The advantages of a quartz movement are its very small size, which also allows for the design of extremely flat and/or small watches, its uninterrupted operation, even when the watch is not being worn, and its high precision of ± 0.5 seconds/day. The life of a battery is generally between 2 and 4 years, depending on the movement.

MECHANICAL

A mechanical movement combines savoir-faire with technology and it is truly a small masterpiece. Its time reference is based on a balance spring oscillating at a frequency of a few hertz. The energy required to operate the mechanism is stored in mechanical form in the barrel spring. A Swiss anchor escapement allows both the transfer of this energy to the balance wheel in the form of an impulse to maintain the oscillation of the balance wheel and the retrieval of time information in the form of the speed at which the gears rotate and its transferred to the hands of the display on the dial. The accuracy of such a movement is between 0 seconds and +20 seconds/day.

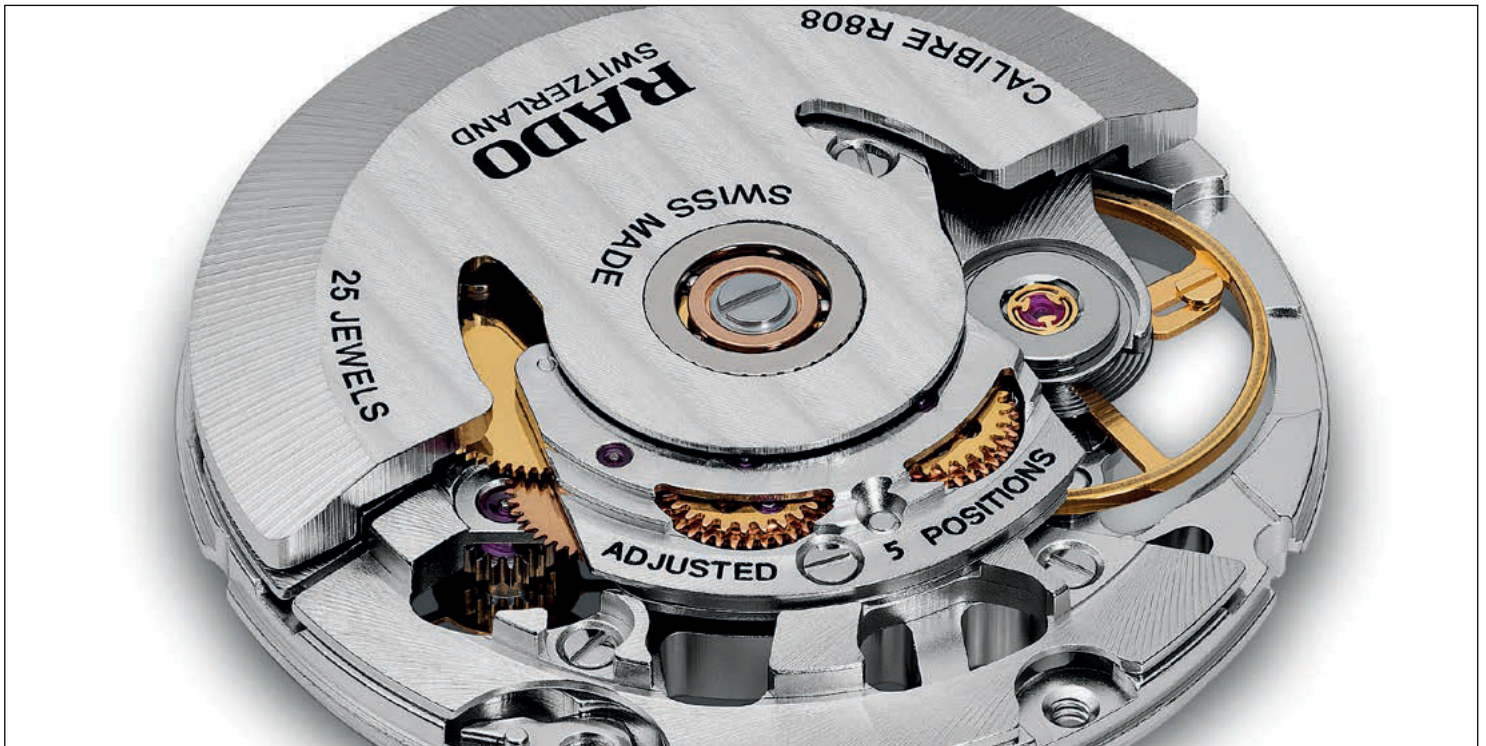
The barrel is recharged by the wearer's movements via a self-winding mechanism with an oscillating weight placed on the back of the movement. The power reserve corresponds to the running time of the resting watch when the barrel is fully wound. This duration depends on the size and design of the movement. It is at least 36 hours, but can reach up to 80 hours for some movements.

COSC CERTIFICATE

A chronometer is a precision movement that meets special requirements. The Official Swiss Chronometer Testing Institute (COSC) is an independent institution that certifies the accuracy of watch movements. These movements are inspected individually and their accuracy is measured for 15 days in 5 positions and at 3 different temperatures. The guaranteed precision of a COSC-certified mechanical movement ranges from 0 to +6 seconds/day.

MAGNETIC FIELDS

Magnetic fields are omnipresent in our everyday lives, for example due to public address systems, mobile phones or magnetic fasteners in handbags, and they have a lasting effect on the functioning of watch movements. For this reason, materials that are insensitive to magnetic fields (amagnetic) are increasingly being used for particularly sensitive components such as the spiral spring. This applies, in particular, to ETA's new Nivachron alloy, which is gradually being incorporated into the Rado collection.



Movement with Nivachron™ hairspring and adjusted in 5 positions.



NIVACHRON™

Nivachron™ is a titanium-based alloy that is used to manufacture balance springs. The innovative material was developed with the involvement of the Swatch Group and is insensitive to magnetic fields, resistant to fluctuations in temperature and has outstanding impact resistance.

5 POSITIONS

The position of a watch determines how strongly the Earth's gravitational pull influences the moving parts of its movement. This means that the accuracy of a watch movement varies depending on the position of the watch, such as if the watch is placed on its front or side, but the wearer's movements also have a bearing on this. A watch that is adjusted in a certain position can show completely different accuracy values in another position and must therefore be adjusted differently. As a result, the more positions a watch is adjusted in, the more precise it is during everyday use.

REFERENCE SYSTEM

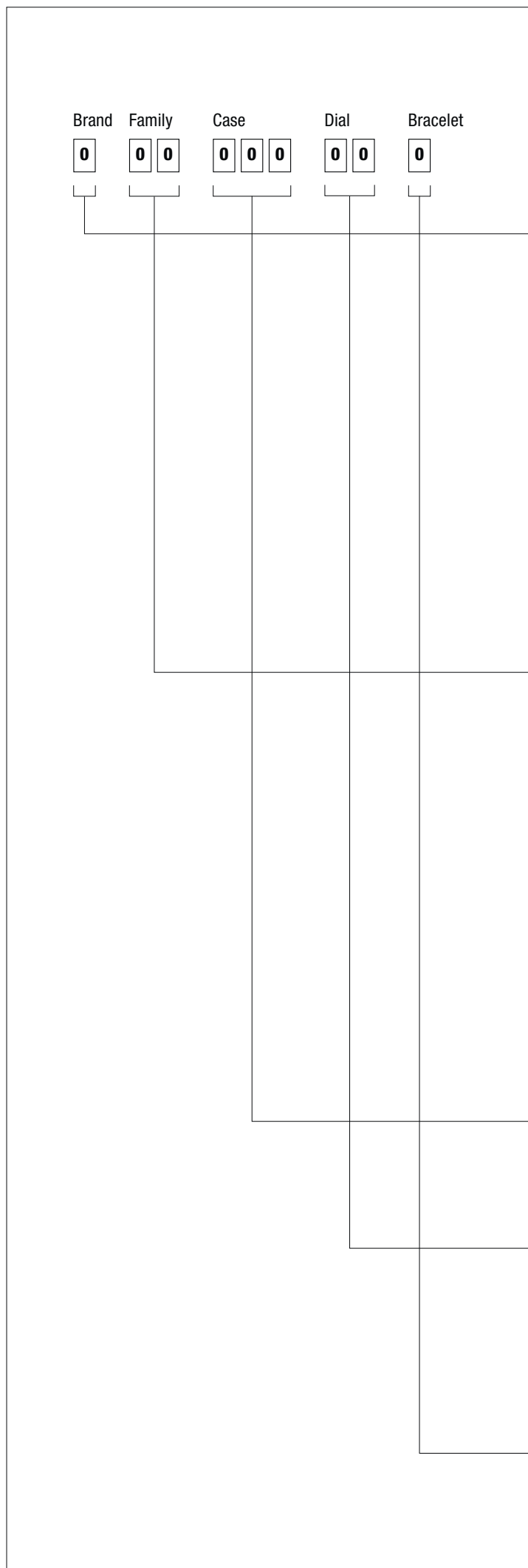
The references for Rado watches are composed of a code consisting of 13 figures. It is to be noted that only 8 figures are engraved on case-backs. The codes for wristbands and presentation boxes are composed of 5 and 3 figures respectively.

The following outline will give you information on the structure and meaning of the reference and individual groups of figures.



REFERENCE SYSTEM





Brand
R.00.000.00.0
 Type of brand
 R = Rado

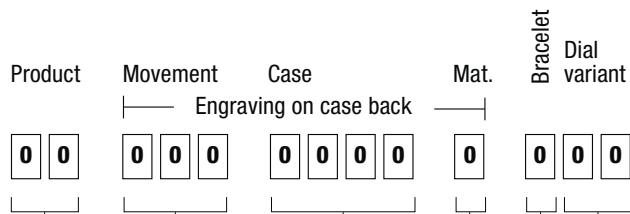
Family
R.00.000.00.0
Family definition
 10 = Anatom
 12 = DiaStar The Original
 13 = Sintra
 14 = DiaMaster
 15 = Rado D-Star
 18 = DiaStar
 20 = Integral
 21 = Ceramica
 22 = Coupole / Coupole Classic
 23 = Diaqueen
 24 = Xeramo
 25 = Cerix
 26 = Ovation
 27 = True / True Thinline / True Square
 28 = R-ONE / r.5.5
 29 = Ceramic round / Carpe Diem
 30 = Centrix
 31 = Specchio
 32 = HyperChrome / Captain Cook
 33 = Golden Horse / HyperChrome Classic
 40 = Florence Anatom
 41 = Florence Crysma
 48 = Florence / Florence Classic
 50 = Coupole
 53 = Esenza
 84 = Daily Wear / Fashion
 90/91 = Schmuckuhren
 96 = V10K

Case
R.00.000.00.0
Reference number of case
 The last three figures are taken over from existing Rado-reference number of the case.

Dial variant
R.00.000.00.0
 Existing dial variant without the figure «0». For detailed information refer to the Rado-reference system.

Bracelet variant
R.00.000.00.0
Reference number of bracelet
1 = hardmetal / hardmetal with gold links
2 = ceramic
3+4 = metal
5+6 = leather
7 = hardmetal / ceramic
9 = various (e.g. hardmetal bracelet with gold links and diamonds, polyurethane bracelet, ceramic bracelet with gold links and diamonds, caoutchouc bracelet)

FINISHED PRODUCT CODE FOR WATCHES



Product
00.000.0000.0.000
Type of product
01 = finished product – watches
02 = movement with dial and hands
03 = movement alone
04 = case alone
05 = dial alone
06 = hands
07 = bracelet and strap
08 = presentation boxes
91 = components for movement and make-up
92 = repairs

Movement
00.000.0000.0.000
Reference number of movement
 (see under «customer service»)

Case
00.000.0000.0.00
Reference number of case
 Consecutive numeration from 0001 to 9999 without distinctive meaning

Mat.
00.000.0000.0.000
Reference number of material for watch case
 2 = yellow plated/white plated
 3 = scratch-resistant case top
 4 = steel or two-tone
 6 = gold

Bracelet variant
00.000.0000.0.000
Reference number of bracelet

Dial variant
00.000.0000.0.000
Reference number of dial
 01 – 09 = white colour
 10 – 14 = grey colour
 15 – 19 = black colour
 20 – 24 = blue colour
 25 – 29 = yellow colour
 30 – 69 = dials with special colours and/or with synthetic sapphires (simili stones)
 60 = white colour
 61 = black colour
 62 = blue colour
 63 = yellow colour
 64 – 69 = other colours
 70 – 79 = dials with diamonds
 90 – 99 = mother-of-pearl dials



The EAN-Code (European Article Numbering), e. g. 7612819005812 is a worldwide standardized numbering which is composed as follows:

76	Country-code for Switzerland
12819	Membership number of Rado
00581	Consecutive number for the different Rado models
2	Control number

PIC-Code	Watch Reference	Page
R12063013	01.734.6063.3.001	DiaStar Original 06
R12064253	01.734.6064.3.025	DiaStar Original 06
R12065403	01.734.6065.3.040	DiaStar Original 06
R12160103	01.764.6160.3.010	DiaStar Original 03
R12160213	01.764.6160.3.021	DiaStar Original 03
R12160303	01.764.6160.3.030	DiaStar Original 03
R12163118	01.764.6163.3.511	DiaStar Original 03
R12304303	01.114.0304.3.030	DiaStar Original 12
R12304313	01.114.0304.3.031	DiaStar Original 12
R12305304	01.114.0305.3.130	DiaStar Original 12
R12306303	01.079.0306.3.030	DiaStar Original 13
R12306313	01.079.0306.3.031	DiaStar Original 13
R12307304	01.079.0307.3.130	DiaStar Original 13
R12391103	01.114.0391.3.010	DiaStar Original 12
R12391153	01.114.0391.3.015	DiaStar Original 12
R12391633	01.114.0391.3.063	DiaStar Original 12
R12393633	01.114.0393.3.063	DiaStar Original 12
R12403633	01.557.0403.3.063	DiaStar Original 10
R12408613	01.764.0408.3.061	DiaStar Original 06
R12408633	01.764.0408.3.063	DiaStar Original 06
R12413033	01.764.0413.3.003	DiaStar Original 07
R12413073	01.764.0413.3.007	DiaStar Original 07
R12413193	01.764.0413.3.019	DiaStar Original 07
R12413243	01.764.0413.3.024	DiaStar Original 07
R12413313	01.764.0413.3.031	DiaStar Original 07
R12413314	01.764.0413.3.131	DiaStar Original 07
R12413323	01.764.0413.3.032	DiaStar Original 08
R12413343	01.764.0413.3.034	DiaStar Original 08
R12413493	01.764.0413.3.049	DiaStar Original 08
R12413503	01.764.0413.3.050	DiaStar Original 09
R12413523	01.764.0413.3.052	DiaStar Original 09
R12413533	01.764.0413.3.053	DiaStar Original 09
R12413573	01.764.0413.3.057	DiaStar Original 09
R12413584	01.764.0413.3.158	DiaStar Original 08
R12413613	01.764.0413.3.061	DiaStar Original 08
R12413703	01.764.0413.3.070	DiaStar Original 08
R12413803	01.764.0413.3.080	DiaStar Original 08
R12416073	01.557.0416.3.007	DiaStar Original 10
R12416193	01.557.0416.3.019	DiaStar Original 10
R12416393	01.557.0416.3.039	DiaStar Original 10
R12416514	01.557.0416.3.151	DiaStar Original 11
R12416533	01.557.0416.3.053	DiaStar Original 11
R12416573	01.557.0416.3.057	DiaStar Original 11
R12416613	01.557.0416.3.061	DiaStar Original 11
R12416633	01.557.0416.3.063	DiaStar Original 11
R12416673	01.557.0416.3.067	DiaStar Original 10
R12416803	01.557.0416.3.080	DiaStar Original 11
R12637163	01.763.0637.3.016	DiaStar Original 04
R12638163	01.370.0638.3.016	DiaStar Original 05
R12638173	01.370.0638.3.017	DiaStar Original 05
R12949153	01.370.0949.3.015	DiaStar Original 05
R12995203	01.764.0995.3.020	DiaStar Original 04
R12998153	01.764.0998.3.015	DiaStar Original 04
R12999153	01.764.0999.3.015	DiaStar Original 04
R12999253	01.764.0999.3.025	DiaStar Original 04
R14053106	01.773.6053.3.410	DiaMaster 03
R14053206	01.773.6053.3.420	DiaMaster 03
R14053716	01.773.6053.3.471	DiaMaster 03
R14056935	01.734.6056.3.493	DiaMaster 04
R14056955	01.734.6056.3.495	DiaMaster 04
R14058905	01.734.6058.3.490	DiaMaster 04
R14064715	01.218.0064.3.471	DiaMaster 05
R14064725	01.218.0064.3.472	DiaMaster 05
R14064735	01.218.0064.3.473	DiaMaster 05

PIC-Code	Watch Reference	Page
R14064745	01.218.0064.3.474	DiaMaster 05
R14064945	01.218.0064.3.494	DiaMaster 05
R14137156	01.772.0137.3.415	DiaMaster 03
R14138206	01.772.0138.3.420	DiaMaster 03
R14140026	01.772.0140.3.402	DiaMaster 03
R20140712	01.212.6140.3.071	Integral 03
R20141712	01.153.6141.3.071	Integral 04
R20201712	01.153.0201.3.071	Integral 04
R20204162	01.212.0204.3.016	Integral 03
R20204712	01.212.0204.3.071	Integral 03
R20206162	01.212.0206.3.016	Integral 03
R20206712	01.212.0206.3.071	Integral 03
R20207712	01.212.0227.3.071	Integral 03
R20219712	01.212.0219.3.071	Integral 03
R20612712	01.153.0194.3.071	Integral 04
R20613162	01.153.0613.3.016	Integral 04
R20613712	01.153.0613.3.071	Integral 04
R20845162	01.153.0845.3.016	Integral 04
R20845712	01.153.0845.3.071	Integral 04
R21700172	01.212.0700.3.017	Ceramica 03
R21700702	01.212.0700.3.070	Ceramica 03
R21700722	01.212.0700.3.072	Ceramica 03
R21702702	01.420.0702.3.070	Ceramica 03
R21702722	01.420.0702.3.072	Ceramica 03
R22860027	01.763.3860.4.402	Coupole Classic 07
R22860044	01.763.3860.4.304	Coupole Classic 07
R22860075	01.763.3860.4.107	Coupole Classic 08
R22860154	01.763.3860.4.315	Coupole Classic 07
R22860163	01.763.3860.4.316	Coupole Classic 07
R22860165	01.763.3860.4.116	Coupole Classic 08
R22860204	01.763.3860.4.320	Coupole Classic 07
R22861065	01.763.3861.2.106	Coupole Classic 08
R22861115	01.763.3861.2.111	Coupole Classic 08
R22861165	01.763.3861.2.116	Coupole Classic 08
R22861765	01.763.3861.2.176	Coupole Classic 08
R22862027	01.561.3862.4.402	Coupole Classic 09
R22862044	01.561.3862.4.304	Coupole Classic 09
R22862075	01.561.3862.4.107	Coupole Classic 09
R22865065	01.582.3865.2.106	Coupole Classic 09
R22865115	01.561.3865.2.111	Coupole Classic 09
R22865765	01.561.3865.2.176	Coupole Classic 09
R22876013	01.763.3876.4.201	Coupole Classic 05
R22876015	01.763.3876.4.101	Coupole Classic 05
R22877025	01.763.3877.2.102	Coupole Classic 05
R22877165	01.763.3877.2.116	Coupole Classic 05
R22878045	01.772.3878.4.104	Coupole Classic 03
R22878163	01.772.3878.4.016	Coupole Classic 03
R22878313	01.772.3878.4.031	Coupole Classic 03
R22879215	01.772.3879.2.121	Coupole Classic 03
R22879315	01.772.3879.2.131	Coupole Classic 03
R22879325	01.772.3879.2.132	Coupole Classic 03
R22882923	01.084.3882.4.292	Coupole Classic 10
R22883913	01.084.3883.4.291	Coupole Classic 10
R22883915	01.084.3883.4.191	Coupole Classic 10
R22883923	01.084.3883.4.092	Coupole Classic 10
R22885945	01.084.3885.2.194	Coupole Classic 10
R22894153	01.734.3894.4.315	Coupole Classic 04
R22894155	01.734.3894.4.115	Coupole Classic 04
R22894163	01.734.3894.4.316	Coupole Classic 04
R22895025	01.734.3895.2.102	Coupole Classic 04
R22895215	01.734.3895.2.121	Coupole Classic 04
R22896924	01.963.3896.2.292	Coupole Classic 11
R22897903	01.963.3897.4.090	Coupole Classic 11
R22897913	01.963.3897.4.091	Coupole Classic 11

PIC-Code	Watch Reference	Page
R22897923	01.963.3897.4.092	Coupole Classic 11
R22897933	01.963.3897.4.093	Coupole Classic 11
R22897943	01.963.3897.4.094	Coupole Classic 11
R22910123	01.289.3910.4.012	Coupole Classic 06
R22910153	01.289.3910.4.015	Coupole Classic 06
R22911205	01.289.3911.2.120	Coupole Classic 06
R27004302	01.420.0004.3.030	True Thinline 07
R27005902	01.420.0005.3.090	True Thinline 07
R27006912	01.420.0006.3.091	True Thinline 07
R27007032	01.420.0007.3.003	True Thinline 06
R27007092	01.420.0007.3.009	True Thinline 10
R27009152	01.420.0009.3.015	True Thinline 10
R27010102	01.420.0010.3.010	True Thinline 10
R27012105	01.420.0012.3.010	True Thinline 08
R27014152	01.420.0014.3.015	True Thinline 08
R27015012	01.420.0015.3.001	True Thinline 09
R27056152	01.763.6109.3.015	True 05
R27056162	01.763.6109.3.016	True 05
R27056712	01.763.6109.3.071	True 05
R27056722	01.763.6109.3.072	True 05
R27056732	01.763.6109.3.073	True 05
R27056842	01.763.6109.3.084	True 05
R27057102	01.763.6110.3.010	True 06
R27057712	01.763.6110.3.071	True 06
R27057732	01.763.6110.3.073	True 06
R27059162	01.079.0059.3.016	True 10
R27059712	01.079.0059.3.071	True 10
R27060712	01.111.0060.3.071	True 10
R27060732	01.111.0060.3.073	True 10
R27061012	01.111.0061.3.001	True 11
R27061712	01.111.0061.3.071	True 11
R27061902	01.111.0061.3.090	True 11
R27070202	01.763.6070.3.020	True Square 05
R27072902	01.079.6072.3.090	True Square 07
R27073012	01.734.6073.3.001	True Square 03
R27073702	01.734.6073.3.070	True Square 03
R27075152	01.763.6075.3.015	True Square 05
R27076012	01.763.6076.3.001	True Square 04
R27077202	01.763.6077.3.020	True Square 06
R27077312	01.763.6077.3.031	True Square 06
R27077702	01.763.6077.3.070	True Square 06
R27078162	01.763.6078.3.016	True Square 06
R27078702	01.763.6078.3.070	True Square 06
R27078722	01.763.6078.3.072	True Square 06
R27079702	01.079.6079.3.070	True Square 07
R27080162	01.079.6080.3.016	True Square 07
R27080702	01.079.6080.3.070	True Square 07
R27080722	01.079.6080.3.072	True Square 07
R27083202	01.734.6083.3.020	True Square 03
R27086152	01.734.6086.3.015	True Square 03
R27086162	01.734.6086.3.016	True Square 03
R27090602	01.420.6090.3.060	True Thinline 04
R27091612	01.420.6091.3.061	True Thinline 04
R27092622	01.420.6092.3.062	True Thinline 05
R27093632	01.420.6093.3.063	True Thinline 05
R27095652	01.420.6095.3.065	True Thinline 05
R27096662	01.420.6096.3.066	True Thinline 04
R27097672	01.420.6097.3.067	True Thinline 04
R27098682	01.420.6098.3.068	True Thinline 04
R27100162	01.734.6107.3.016	True 03
R27106922	01.734.0106.3.092	True 03
R27107152	01.734.6107.3.015	True 04
R27107732	01.734.6107.3.073	True 04
R27107742	01.734.6107.3.074	True 04

PIC-Code	Watch Reference	Page
R27108312	01.734.6108.3.031	True 04
R27108322	01.734.6108.3.032	True 04
R27108732	01.734.6108.3.073	True 04
R27110872	01.763.6110.3.087	True 06
R27112312	01.766.6112.3.031	True Thinline 03
R27120402	01.420.6120.3.040	True Thinline 06
R27121302	01.420.6121.3.030	True Thinline 06
R27122252	01.420.6122.3.025	True Thinline 06
R27123905	01.734.6123.3.190	True Square 04
R27238162	01.073.0238.3.016	True 09
R27238712	01.073.0238.3.071	True 09
R27238722	01.073.0238.3.072	True 09
R27239712	01.115.0239.3.071	True 09
R27242162	01.561.0242.3.016	True 07
R27242712	01.561.0242.3.071	True 07
R27242722	01.561.0242.3.072	True 07
R27242732	01.561.0242.3.073	True 07
R27242742	01.561.0242.3.074	True 07
R27242842	01.561.0242.3.084	True 07
R27242852	01.561.0242.3.085	True 07
R27243712	01.561.0243.3.071	True 08
R27243732	01.561.0243.3.073	True 08
R27243742	01.561.0243.3.074	True 08
R27243852	01.561.0243.3.085	True 08
R27243872	01.561.0243.3.087	True 08
R27510152	01.734.0510.3.015	True 03
R27511302	01.734.0511.3.030	True 03
R27741182	01.420.0009.3.018	True Thinline 10
R27742722	01.420.0742.3.072	True Thinline 11
R27955122	01.140.0955.3.012	True Thinline 10
R27956722	01.420.0956.3.072	True Thinline 11
R27957909	01.140.0957.3.190	True Thinline 10
R27958722	01.420.0958.3.072	True Thinline 11
R27958909	01.420.0958.3.190	True Thinline 11
R30017012	01.763.6017.3.001	Centrix 04
R30017302	01.763.6017.3.030	Centrix 03
R30017712	01.763.6017.3.071	Centrix 03
R30017722	01.763.6017.3.072	Centrix 04
R30017732	01.763.6017.3.073	Centrix 03
R30018152	01.763.6018.3.015	Centrix 03
R30018712	01.763.6018.3.071	Centrix 03
R30018742	01.763.6018.3.074	Centrix 03
R30019012	01.582.6019.3.001	Centrix 06
R30019302	01.582.6019.3.030	Centrix 05
R30019712	01.582.6019.3.071	Centrix 05
R30019722	01.582.6019.3.072	Centrix 06
R30019732	01.582.6019.3.073	Centrix 05
R30019742	01.582.6019.3.074	Centrix 06
R30019744	01.582.6019.3.174	Centrix 06
R30020712	01.582.6020.3.071	Centrix 05
R30020742	01.582.6020.3.074	Centrix 05
R30034712	01.561.0034.3.071	Centrix 11
R30035712	01.763.0035.3.071	Centrix 10
R30036752	01.763.0036.3.075	Centrix 10
R30079762	01.763.0079.3.076	Centrix 10
R30122122	01.312.0122.3.012	Centrix 07
R30130152	01.312.0130.3.015	Centrix 07
R30134162	01.312.0134.3.016	Centrix 07
R30178152	01.734.0178.3.015	Centrix 08
R30179114	01.734.0179.3.111	Centrix 08
R30180162	01.734.0180.3.016	Centrix 08
R30181104	01.734.0181.3.110	Centrix 08
R30181312	01.734.0181.3.031	Centrix 08
R30183022	01.561.0183.3.002	Centrix 11

PIC-Code	Watch Reference	Page
R30183742	01.561.0183.3.074	Centrix 11
R30183752	01.561.0183.3.075	Centrix 11
R30183762	01.561.0183.3.076	Centrix 11
R30186912	01.963.0186.3.091	Centrix 15
R30187172	01.312.0187.3.017	Centrix 07
R30189712	01.963.0189.3.071	Centrix 15
R30190702	01.963.0190.3.070	Centrix 15
R30191712	01.963.0191.3.071	Centrix 15
R30248012	01.734.0248.3.001	Centrix 09
R30248712	01.734.0248.3.071	Centrix 09
R30248902	01.734.0248.3.090	Centrix 09
R30527172	01.073.0527.3.017	Centrix 12
R30527762	01.073.0527.3.076	Centrix 12
R30528172	01.079.0528.3.017	Centrix 14
R30528762	01.079.0528.3.076	Centrix 14
R30554712	01.073.0554.3.071	Centrix 13
R30554724	01.073.0554.3.172	Centrix 13
R30554762	01.073.0554.3.076	Centrix 13
R30555712	01.079.0555.3.071	Centrix 15
R30555724	01.079.0555.3.172	Centrix 15
R30555762	01.079.0555.3.076	Centrix 15
R30929712	01.073.0929.3.071	Centrix 12
R30930712	01.079.0930.3.071	Centrix 14
R30934172	01.073.0934.3.017	Centrix 12
R30934712	01.073.0934.3.071	Centrix 12
R30934752	01.073.0934.3.075	Centrix 12
R30935172	01.079.0935.3.017	Centrix 14
R30935712	01.079.0935.3.071	Centrix 14
R30935752	01.079.0935.3.075	Centrix 14
R30941172	01.763.0941.3.017	Centrix 10
R30941702	01.763.0941.3.070	Centrix 10
R30941752	01.763.0941.3.075	Centrix 10
R32021102	01.734.0021.3.010	HyperChrome 05
R32022102	01.650.0022.3.010	HyperChrome 06
R32027962	01.082.6027.3.096	HyperChrome 04
R32033902	01.580.6033.3.090	HyperChrome 04
R32041702	01.580.6041.3.070	HyperChrome 04
R32042153	01.603.6042.3.015	HyperChrome 07
R32042203	01.603.6042.3.020	HyperChrome 07
R32043712	01.586.6043.3.071	HyperChrome 04
R32044902	01.580.6044.3.090	HyperChrome 04
R32050163	01.771.6050.3.016	HyperChrome 07
R32050203	01.771.6050.3.020	HyperChrome 07
R32051102	01.580.6051.3.010	HyperChrome 03
R32052012	01.580.6052.3.001	HyperChrome 03
R32105103	01.763.6105.3.010	Captain Cook 13
R32105153	01.763.6105.3.015	Captain Cook 09
R32105203	01.763.6105.3.020	Captain Cook 09
R32105313	01.763.6105.3.031	Captain Cook 09
R32105319	01.763.6105.3.631	Captain Cook 13
R32105353	01.763.6105.3.035	Captain Cook 09
R32111162	01.650.0111.3.016	HyperChrome 06
R32116158	01.862.6116.3.515	Captain Cook 10
R32117708	01.763.6117.3.570	Captain Cook 11
R32118102	01.650.0118.3.010	HyperChrome 06
R32121152	01.650.0121.3.015	HyperChrome 06
R32127152	01.734.6127.3.015	Captain Cook 05
R32127156	01.734.6127.3.215	Captain Cook 05
R32127162	01.734.6127.3.016	Captain Cook 05
R32128202	01.734.6128.3.020	Captain Cook 05
R32129152	01.763.6129.3.015	Captain Cook 03
R32129158	01.763.6129.3.115	Captain Cook 03
R32130312	01.763.6130.3.031	Captain Cook 03
R32130318	01.763.6130.3.131	Captain Cook 03

PIC-Code	Watch Reference	Page
R32137153	01.763.6137.3.015	Captain Cook 09
R32137203	01.763.6137.3.020	Captain Cook 09
R32138153	01.763.6138.3.015	Captain Cook 09
R32138303	01.763.6138.3.030	Captain Cook 09
R32139708	01.763.6139.3.570	Captain Cook 11
R32144102	01.763.6144.3.010	Captain Cook 03
R32144202	01.763.6144.3.020	Captain Cook 03
R32145158	01.801.6145.3.515	Captain Cook 08
R32145208	01.801.6145.3.520	Captain Cook 08
R32146208	01.801.6146.3.520	Captain Cook 06
R32147162	01.808.6147.3.016	Captain Cook 04
R32252162	01.763.0252.3.016	HyperChrome 05
R32254202	01.763.0254.3.020	HyperChrome 05
R32254302	01.763.0254.3.030	HyperChrome 05
R32256712	01.763.0256.3.071	HyperChrome 05
R32259153	01.312.0259.3.015	HyperChrome 08
R32259163	01.312.0259.3.016	HyperChrome 08
R32259203	01.312.0259.3.020	HyperChrome 08
R32259313	01.312.0259.3.031	HyperChrome 08
R32482722	01.580.0482.3.072	HyperChrome 03
R32500013	01.763.0500.3.001	Captain Cook 12
R32500203	01.763.0500.3.020	Captain Cook 12
R32500323	01.763.0500.3.032	Captain Cook 12
R32500703	01.763.0500.3.070	Captain Cook 12
R32502153	01.073.0502.3.015	HyperChrome 09
R32502163	01.073.0502.3.016	HyperChrome 09
R32502203	01.073.0502.3.020	HyperChrome 09
R32502313	01.073.0502.3.031	HyperChrome 09
R32504205	01.763.0504.3.120	Captain Cook 07
R32504207	01.763.0504.3.220	Captain Cook 07
R32504306	01.763.0504.3.230	Captain Cook 07
R32504315	01.763.0504.3.131	Captain Cook 07
R32504317	01.763.0504.3.231	Captain Cook 07
R32504407	01.763.0504.3.340	Captain Cook 07
R32505019	01.763.0505.3.601	Captain Cook 15
R32505153	01.763.0505.3.015	Captain Cook 10
R32505203	01.763.0505.3.020	Captain Cook 10
R32505208	01.763.0505.3.520	Captain Cook 14
R32505305	01.763.0505.3.130	Captain Cook 10
R32505313	01.763.0505.3.031	Captain Cook 10
R32505318	01.763.6105.3.532	Captain Cook 14
R32523722	01.580.0523.3.072	HyperChrome 03
R32525202	01.650.0525.3.020	HyperChrome 06
R33099918	01.082.6099.3.591	HyperChrome Classic 05
R33100013	01.763.6100.3.001	HyperChrome Classic 03
R33100103	01.763.6100.3.010	HyperChrome Classic 03
R33100703	01.763.6100.3.070	HyperChrome Classic 03
R33101203	01.763.6101.3.220	HyperChrome Classic 03
R33101314	01.763.6101.3.031	HyperChrome Classic 03
R33102703	01.561.6102.3.070	HyperChrome Classic 04
R33102903	01.561.6102.3.090	HyperChrome Classic 04
R33103314	01.561.6103.3.031	HyperChrome Classic 04
R33103713	01.561.6103.3.071	HyperChrome Classic 04
R33104918	01.082.6104.3.591	HyperChrome Classic 05
R33930153	01.763.3930.4.015	Golden Horse 03
R33930203	01.763.3930.4.020	Golden Horse 03
R33930313	01.763.3930.4.031	Golden Horse 03
R33930355	01.763.3930.4.135	Golden Horse 03
R48912013	01.073.3912.4.001	Florence Classic 03
R48912023	01.073.3912.4.002	Florence Classic 03
R48912153	01.073.3912.4.015	Florence Classic 03
R48912703	01.073.3912.4.070	Florence Classic 03
R48912713	01.073.3912.4.071	Florence Classic 03
R48912723	01.073.3912.4.072	Florence Classic 04

PIC-Code	Watch Reference	Page
R48912733	01.073.3912.4.073	Florence Classic 03
R48912743	01.073.3912.4.074	Florence Classic 03
R48912763	01.073.3912.4.076	Florence Classic 04
R48913013	01.079.3913.4.001	Florence Classic 05
R48913023	01.079.3913.4.002	Florence Classic 05
R48913153	01.079.3913.4.015	Florence Classic 05
R48913703	01.079.3913.4.070	Florence Classic 05
R48913713	01.079.3913.4.071	Florence Classic 05
R48913723	01.079.3913.4.072	Florence Classic 06
R48913733	01.079.3913.4.073	Florence Classic 05
R48913743	01.079.3913.4.074	Florence Classic 05
R48913763	01.079.3913.4.076	Florence Classic 06
R48914703	01.073.3914.4.070	Florence Classic 04
R48915703	01.079.3915.4.070	Florence Classic 06
R48916703	01.073.3916.4.070	Florence Classic 04
R48917703	01.079.3917.4.070	Florence Classic 06

PIC-Code	Set Reference	Page
R12163118	01.764.6163.3.511	DiaStar Original 03
R32105103	01.763.6105.3.010	Captain Cook 13
R32105319	01.763.6105.3.631	Captain Cook 13
R32116158	01.862.6116.3.515	Captain Cook 10
R32117708	01.763.6117.3.570	Captain Cook 11
R32139708	01.763.6139.3.570	Captain Cook 11
R32505019	01.763.0505.3.601	Captain Cook 15
R32505208	01.763.0505.3.520	Captain Cook 14
R32505318	01.763.6105.3.532	Captain Cook 14
R33099918	01.082.6099.3.591	HyperChrome Classic 05
R33104918	01.082.6104.3.591	HyperChrome Classic 05

PIC-Code	Accessoire Reference	Page
R070366501	07.03665.01	Captain Cook 16
R070369701	07.03697.01	Captain Cook 16
R070909001	07.09090.01	Captain Cook 17
R070911501	07.09115.01	Captain Cook 17
R070912801	07.09128.01	Captain Cook 17
R070913001	07.09130.01	Captain Cook 17
R070913101	07.09131.01	Captain Cook 17
R070913201	07.09132.01	Captain Cook 20
R070913301	07.09133.01	Captain Cook 18
R070913401	07.09134.01	Captain Cook 18
R070913501	07.09135.01	Captain Cook 18
R070913601	07.09136.01	Captain Cook 19
R070913801	07.09138.01	Captain Cook 18
R070914501	07.09145.01	Captain Cook 17
R070914601	07.09146.01	Captain Cook 19
R070914701	07.09147.01	Captain Cook 18
R070914801	07.09148.01	Captain Cook 18
R070914901	07.09149.01	Captain Cook 20
R070915001	07.09150.01	Captain Cook 20
R070915901	07.09159.01	Captain Cook 20
R070916101	07.09161.01	Captain Cook 19
R070916301	07.09163.01	Captain Cook 20
R070916401	07.09164.01	Captain Cook 20
R070916501	07.09165.01	Captain Cook 21
R070916601	07.09166.01	Captain Cook 21
R070916701	07.09167.01	Captain Cook 21
R070916801	07.09168.01	Captain Cook 21
R070916901	07.09169.01	Captain Cook 21
R070917001	07.09170.01	Captain Cook 20
R070917101	07.09171.01	Captain Cook 20
R070917201	07.09172.01	Captain Cook 21
R070917301	07.09173.01	Captain Cook 21
R070917401	07.09174.01	Captain Cook 21
R070917501	07.09175.01	Captain Cook 21
R070917601	07.09176.01	Captain Cook 21
R070917701	07.09177.01	Captain Cook 19
R070917801	07.09178.01	Captain Cook 19
R070917901	07.09179.01	Captain Cook 19

INDEX BY WATCH REFERENCE

Watch Reference	PIC-Code	Page	Watch Reference	PIC-Code	Page
01.073.0238.3.016	R27238162	True 09	01.082.6099.3.591	R33099918	HyperChrome Classic 05
01.073.0238.3.071	R27238712	True 09	01.082.6104.3.591	R33104918	HyperChrome Classic 05
01.073.0238.3.072	R27238722	True 09	01.084.3882.4.292	R22882923	Coupole Classic 10
01.073.0502.3.015	R32502153	HyperChrome 09	01.084.3883.4.092	R22883923	Coupole Classic 10
01.073.0502.3.016	R32502163	HyperChrome 09	01.084.3883.4.191	R22883915	Coupole Classic 10
01.073.0502.3.020	R32502203	HyperChrome 09	01.084.3883.4.291	R22883913	Coupole Classic 10
01.073.0502.3.031	R32502313	HyperChrome 09	01.084.3885.2.194	R22885945	Coupole Classic 10
01.073.0527.3.017	R30527172	Centrix 12	01.111.0060.3.071	R27060712	True 10
01.073.0527.3.076	R30527762	Centrix 12	01.111.0060.3.073	R27060732	True 10
01.073.0554.3.071	R30554712	Centrix 13	01.111.0061.3.001	R27061012	True 11
01.073.0554.3.076	R30554762	Centrix 13	01.111.0061.3.071	R27061712	True 11
01.073.0554.3.172	R30554724	Centrix 13	01.111.0061.3.090	R27061902	True 11
01.073.0929.3.071	R30929712	Centrix 12	01.114.0304.3.030	R12304303	DiaStar Original 12
01.073.0934.3.017	R30934172	Centrix 12	01.114.0304.3.031	R12304313	DiaStar Original 12
01.073.0934.3.071	R30934712	Centrix 12	01.114.0305.3.130	R12305304	DiaStar Original 12
01.073.0934.3.075	R30934752	Centrix 12	01.114.0391.3.010	R12391103	DiaStar Original 12
01.073.3912.4.001	R48912013	Florence Classic 03	01.114.0391.3.015	R12391153	DiaStar Original 12
01.073.3912.4.002	R48912023	Florence Classic 03	01.114.0391.3.063	R12391633	DiaStar Original 12
01.073.3912.4.015	R48912153	Florence Classic 03	01.114.0393.3.063	R12393633	DiaStar Original 12
01.073.3912.4.070	R48912703	Florence Classic 03	01.115.0239.3.071	R27239712	True 09
01.073.3912.4.071	R48912713	Florence Classic 03	01.140.0955.3.012	R27955122	True Thinline 10
01.073.3912.4.072	R48912723	Florence Classic 04	01.140.0957.3.190	R27957909	True Thinline 10
01.073.3912.4.073	R48912733	Florence Classic 03	01.153.0194.3.071	R20612712	Integral 04
01.073.3912.4.074	R48912743	Florence Classic 03	01.153.0201.3.071	R20201712	Integral 04
01.073.3912.4.076	R48912763	Florence Classic 04	01.153.0613.3.016	R20613162	Integral 04
01.073.3914.4.070	R48914703	Florence Classic 04	01.153.0613.3.071	R20613712	Integral 04
01.073.3916.4.070	R48916703	Florence Classic 04	01.153.0845.3.016	R20845162	Integral 04
01.079.0059.3.016	R27059162	True 10	01.153.0845.3.071	R20845712	Integral 04
01.079.0059.3.071	R27059712	True 10	01.153.6141.3.071	R20141712	Integral 04
01.079.0306.3.030	R12306303	DiaStar Original 13	01.212.0204.3.016	R20204162	Integral 03
01.079.0306.3.031	R12306313	DiaStar Original 13	01.212.0204.3.071	R20204712	Integral 03
01.079.0307.3.130	R12307304	DiaStar Original 13	01.212.0206.3.016	R20206162	Integral 03
01.079.0528.3.017	R30528172	Centrix 14	01.212.0206.3.071	R20206712	Integral 03
01.079.0528.3.076	R30528762	Centrix 14	01.212.0219.3.071	R20219712	Integral 03
01.079.0555.3.071	R30555712	Centrix 15	01.212.0227.3.071	R20207712	Integral 03
01.079.0555.3.076	R30555762	Centrix 15	01.212.0700.3.017	R21700172	Ceramica 03
01.079.0555.3.172	R30555724	Centrix 15	01.212.0700.3.070	R21700702	Ceramica 03
01.079.0930.3.071	R30930712	Centrix 14	01.212.0700.3.072	R21700722	Ceramica 03
01.079.0935.3.017	R30935172	Centrix 14	01.212.6140.3.071	R20140712	Integral 03
01.079.0935.3.071	R30935712	Centrix 14	01.218.0064.3.471	R14064715	DiaMaster 05
01.079.0935.3.075	R30935752	Centrix 14	01.218.0064.3.472	R14064725	DiaMaster 05
01.079.3913.4.001	R48913013	Florence Classic 05	01.218.0064.3.473	R14064735	DiaMaster 05
01.079.3913.4.002	R48913023	Florence Classic 05	01.218.0064.3.474	R14064745	DiaMaster 05
01.079.3913.4.015	R48913153	Florence Classic 05	01.218.0064.3.494	R14064945	DiaMaster 05
01.079.3913.4.070	R48913703	Florence Classic 05	01.289.3910.4.012	R22910123	Coupole Classic 06
01.079.3913.4.071	R48913713	Florence Classic 05	01.289.3910.4.015	R22910153	Coupole Classic 06
01.079.3913.4.072	R48913723	Florence Classic 06	01.289.3911.2.120	R22911205	Coupole Classic 06
01.079.3913.4.073	R48913733	Florence Classic 05	01.312.0122.3.012	R30122122	Centrix 07
01.079.3913.4.074	R48913743	Florence Classic 05	01.312.0130.3.015	R30130152	Centrix 07
01.079.3913.4.076	R48913763	Florence Classic 06	01.312.0134.3.016	R30134162	Centrix 07
01.079.3915.4.070	R48915703	Florence Classic 06	01.312.0187.3.017	R30187172	Centrix 07
01.079.3917.4.070	R48917703	Florence Classic 06	01.312.0259.3.015	R32259153	HyperChrome 08
01.079.6072.3.090	R27072902	True Square 07	01.312.0259.3.016	R32259163	HyperChrome 08
01.079.6079.3.070	R27079702	True Square 07	01.312.0259.3.020	R32259203	HyperChrome 08
01.079.6080.3.016	R27080162	True Square 07	01.312.0259.3.031	R32259313	HyperChrome 08
01.079.6080.3.070	R27080702	True Square 07	01.370.0638.3.016	R12638163	DiaStar Original 05
01.079.6080.3.072	R27080722	True Square 07	01.370.0638.3.017	R12638173	DiaStar Original 05
01.082.6027.3.096	R32027962	HyperChrome 04	01.370.0949.3.015	R12949153	DiaStar Original 05

INDEX BY WATCH REFERENCE

Watch Reference	PIC-Code	Page
01.420.0004.3.030	R27004302	True Thinline 07
01.420.0005.3.090	R27005902	True Thinline 07
01.420.0006.3.091	R27006912	True Thinline 07
01.420.0007.3.003	R27007032	True Thinline 06
01.420.0007.3.009	R27007092	True Thinline 10
01.420.0009.3.015	R27009152	True Thinline 10
01.420.0009.3.018	R27741182	True Thinline 10
01.420.0010.3.010	R27010102	True Thinline 10
01.420.0012.3.010	R27012105	True Thinline 08
01.420.0014.3.015	R27014152	True Thinline 08
01.420.0015.3.001	R27015012	True Thinline 09
01.420.0702.3.070	R21702702	Ceramica 03
01.420.0702.3.072	R21702722	Ceramica 03
01.420.0742.3.072	R27742722	True Thinline 11
01.420.0956.3.072	R27956722	True Thinline 11
01.420.0958.3.072	R27958722	True Thinline 11
01.420.0958.3.190	R27958909	True Thinline 11
01.420.6090.3.060	R27090602	True Thinline 04
01.420.6091.3.061	R27091612	True Thinline 04
01.420.6092.3.062	R27092622	True Thinline 05
01.420.6093.3.063	R27093632	True Thinline 05
01.420.6095.3.065	R27095652	True Thinline 05
01.420.6096.3.066	R27096662	True Thinline 04
01.420.6097.3.067	R27097672	True Thinline 04
01.420.6098.3.068	R27098682	True Thinline 04
01.420.6120.3.040	R27120402	True Thinline 06
01.420.6121.3.030	R27121302	True Thinline 06
01.420.6122.3.025	R27122252	True Thinline 06
01.557.0403.3.063	R12403633	DiaStar Original 10
01.557.0416.3.007	R12416073	DiaStar Original 10
01.557.0416.3.019	R12416193	DiaStar Original 10
01.557.0416.3.039	R12416393	DiaStar Original 10
01.557.0416.3.053	R12416533	DiaStar Original 11
01.557.0416.3.057	R12416573	DiaStar Original 11
01.557.0416.3.061	R12416613	DiaStar Original 11
01.557.0416.3.063	R12416633	DiaStar Original 11
01.557.0416.3.067	R12416673	DiaStar Original 10
01.557.0416.3.080	R12416803	DiaStar Original 11
01.557.0416.3.151	R12416514	DiaStar Original 11
01.561.0034.3.071	R30034712	Centrix 11
01.561.0183.3.002	R30183022	Centrix 11
01.561.0183.3.074	R30183742	Centrix 11
01.561.0183.3.075	R30183752	Centrix 11
01.561.0183.3.076	R30183762	Centrix 11
01.561.0242.3.016	R27242162	True 07
01.561.0242.3.071	R27242712	True 07
01.561.0242.3.072	R27242722	True 07
01.561.0242.3.073	R27242732	True 07
01.561.0242.3.074	R27242742	True 07
01.561.0242.3.084	R27242842	True 07
01.561.0242.3.085	R27242852	True 07
01.561.0243.3.071	R27243712	True 08
01.561.0243.3.073	R27243732	True 08
01.561.0243.3.074	R27243742	True 08
01.561.0243.3.085	R27243852	True 08
01.561.0243.3.087	R27243872	True 08
01.561.3862.4.107	R22862075	Coupole Classic 09
01.561.3862.4.304	R22862044	Coupole Classic 09

Watch Reference	PIC-Code	Page
01.561.3862.4.402	R22862027	Coupole Classic 09
01.561.3865.2.111	R22865115	Coupole Classic 09
01.561.3865.2.176	R22865765	Coupole Classic 09
01.561.6102.3.070	R33102703	HyperChrome Classic 04
01.561.6102.3.090	R33102903	HyperChrome Classic 04
01.561.6103.3.031	R33103314	HyperChrome Classic 04
01.561.6103.3.071	R33103713	HyperChrome Classic 04
01.580.0482.3.072	R32482722	HyperChrome 03
01.580.0523.3.072	R32523722	HyperChrome 03
01.580.6033.3.090	R32033902	HyperChrome 04
01.580.6041.3.070	R32041702	HyperChrome 04
01.580.6044.3.090	R32044902	HyperChrome 04
01.580.6051.3.010	R32051102	HyperChrome 03
01.580.6052.3.001	R32052012	HyperChrome 03
01.582.3865.2.106	R22865065	Coupole Classic 09
01.582.6019.3.001	R30019012	Centrix 06
01.582.6019.3.030	R30019302	Centrix 05
01.582.6019.3.071	R30019712	Centrix 05
01.582.6019.3.072	R30019722	Centrix 06
01.582.6019.3.073	R30019732	Centrix 05
01.582.6019.3.074	R30019742	Centrix 06
01.582.6019.3.174	R30019744	Centrix 06
01.582.6020.3.071	R30020712	Centrix 05
01.582.6020.3.074	R30020742	Centrix 05
01.586.6043.3.071	R32043712	HyperChrome 04
01.603.6042.3.015	R32042153	HyperChrome 07
01.603.6042.3.020	R32042203	HyperChrome 07
01.650.0022.3.010	R32022102	HyperChrome 06
01.650.0111.3.016	R32111162	HyperChrome 06
01.650.0118.3.010	R32118102	HyperChrome 06
01.650.0121.3.015	R32121152	HyperChrome 06
01.650.0525.3.020	R32525202	HyperChrome 06
01.734.0021.3.010	R32021102	HyperChrome 05
01.734.0106.3.092	R27106922	True 03
01.734.0178.3.015	R30178152	Centrix 08
01.734.0179.3.111	R30179114	Centrix 08
01.734.0180.3.016	R30180162	Centrix 08
01.734.0181.3.031	R30181312	Centrix 08
01.734.0181.3.110	R30181104	Centrix 08
01.734.0248.3.001	R30248012	Centrix 09
01.734.0248.3.071	R30248712	Centrix 09
01.734.0248.3.090	R30248902	Centrix 09
01.734.0510.3.015	R27510152	True 03
01.734.0511.3.030	R27511302	True 03
01.734.3894.4.115	R22894155	Coupole Classic 04
01.734.3894.4.315	R22894153	Coupole Classic 04
01.734.3894.4.316	R22894163	Coupole Classic 04
01.734.3895.2.102	R22895025	Coupole Classic 04
01.734.3895.2.121	R22895215	Coupole Classic 04
01.734.6056.3.493	R14056935	DiaMaster 04
01.734.6056.3.495	R14056955	DiaMaster 04
01.734.6058.3.490	R14058905	DiaMaster 04
01.734.6063.3.001	R12063013	DiaStar Original 06
01.734.6064.3.025	R12064253	DiaStar Original 06
01.734.6065.3.040	R12065403	DiaStar Original 06
01.734.6073.3.001	R27073012	True Square 03
01.734.6073.3.070	R27073702	True Square 03
01.734.6083.3.020	R27083202	True Square 03

INDEX BY WATCH REFERENCE

Watch Reference	PIC-Code	Page
01.734.6086.3.015	R27086152	True Square 03
01.734.6086.3.016	R27086162	True Square 03
01.734.6107.3.015	R27107152	True 04
01.734.6107.3.016	R27100162	True 03
01.734.6107.3.073	R27107732	True 04
01.734.6107.3.074	R27107742	True 04
01.734.6108.3.031	R27108312	True 04
01.734.6108.3.032	R27108322	True 04
01.734.6108.3.073	R27108732	True 04
01.734.6123.3.190	R27123905	True Square 04
01.734.6127.3.015	R32127152	Captain Cook 05
01.734.6127.3.016	R32127162	Captain Cook 05
01.734.6127.3.215	R32127156	Captain Cook 05
01.734.6128.3.020	R32128202	Captain Cook 05
01.763.0035.3.071	R30035712	Centrix 10
01.763.0036.3.075	R30036752	Centrix 10
01.763.0079.3.076	R30079762	Centrix 10
01.763.0252.3.016	R32252162	HyperChrome 05
01.763.0254.3.020	R32254202	HyperChrome 05
01.763.0254.3.030	R32254302	HyperChrome 05
01.763.0256.3.071	R32256712	HyperChrome 05
01.763.0500.3.001	R32500013	Captain Cook 12
01.763.0500.3.020	R32500203	Captain Cook 12
01.763.0500.3.032	R32500323	Captain Cook 12
01.763.0500.3.070	R32500703	Captain Cook 12
01.763.0504.3.120	R32504205	Captain Cook 07
01.763.0504.3.131	R32504315	Captain Cook 07
01.763.0504.3.220	R32504207	Captain Cook 07
01.763.0504.3.230	R32504306	Captain Cook 07
01.763.0504.3.231	R32504317	Captain Cook 07
01.763.0504.3.340	R32504407	Captain Cook 07
01.763.0505.3.015	R32505153	Captain Cook 10
01.763.0505.3.020	R32505203	Captain Cook 10
01.763.0505.3.031	R32505313	Captain Cook 10
01.763.0505.3.130	R32505305	Captain Cook 10
01.763.0505.3.520	R32505208	Captain Cook 14
01.763.0505.3.601	R32505019	Captain Cook 15
01.763.0637.3.016	R12637163	DiaStar Original 04
01.763.0941.3.017	R30941172	Centrix 10
01.763.0941.3.070	R30941702	Centrix 10
01.763.0941.3.075	R30941752	Centrix 10
01.763.3860.4.107	R22860075	Coupole Classic 08
01.763.3860.4.116	R22860165	Coupole Classic 08
01.763.3860.4.304	R22860044	Coupole Classic 07
01.763.3860.4.315	R22860154	Coupole Classic 07
01.763.3860.4.316	R22860163	Coupole Classic 07
01.763.3860.4.320	R22860204	Coupole Classic 07
01.763.3860.4.402	R22860027	Coupole Classic 07
01.763.3861.2.106	R22861065	Coupole Classic 08
01.763.3861.2.111	R22861115	Coupole Classic 08
01.763.3861.2.116	R22861165	Coupole Classic 08
01.763.3861.2.176	R22861765	Coupole Classic 08
01.763.3876.4.101	R22876015	Coupole Classic 05
01.763.3876.4.201	R22876013	Coupole Classic 05
01.763.3877.2.102	R22877025	Coupole Classic 05
01.763.3877.2.116	R22877165	Coupole Classic 05
01.763.3930.4.015	R33930153	Golden Horse 03
01.763.3930.4.020	R33930203	Golden Horse 03

Watch Reference	PIC-Code	Page
01.763.3930.4.031	R33930313	Golden Horse 03
01.763.3930.4.135	R33930355	Golden Horse 03
01.763.6017.3.001	R30017012	Centrix 04
01.763.6017.3.030	R30017302	Centrix 03
01.763.6017.3.071	R30017712	Centrix 03
01.763.6017.3.072	R30017722	Centrix 04
01.763.6017.3.073	R30017732	Centrix 03
01.763.6018.3.015	R30018152	Centrix 03
01.763.6018.3.071	R30018712	Centrix 03
01.763.6018.3.074	R30018742	Centrix 03
01.763.6070.3.020	R27070202	True Square 05
01.763.6075.3.015	R27075152	True Square 05
01.763.6076.3.001	R27076012	True Square 04
01.763.6077.3.020	R27077202	True Square 06
01.763.6077.3.031	R27077312	True Square 06
01.763.6077.3.070	R27077702	True Square 06
01.763.6078.3.016	R27078162	True Square 06
01.763.6078.3.070	R27078702	True Square 06
01.763.6078.3.072	R27078722	True Square 06
01.763.6100.3.001	R33100013	HyperChrome Classic 03
01.763.6100.3.010	R33100103	HyperChrome Classic 03
01.763.6100.3.070	R33100703	HyperChrome Classic 03
01.763.6101.3.031	R33101314	HyperChrome Classic 03
01.763.6101.3.220	R33101203	HyperChrome Classic 03
01.763.6105.3.010	R32105103	Captain Cook 13
01.763.6105.3.015	R32105153	Captain Cook 09
01.763.6105.3.020	R32105203	Captain Cook 09
01.763.6105.3.031	R32105313	Captain Cook 09
01.763.6105.3.035	R32105353	Captain Cook 09
01.763.6105.3.532	R32505318	Captain Cook 14
01.763.6105.3.631	R32105319	Captain Cook 13
01.763.6109.3.015	R27056152	True 05
01.763.6109.3.016	R27056162	True 05
01.763.6109.3.071	R27056712	True 05
01.763.6109.3.072	R27056722	True 05
01.763.6109.3.073	R27056732	True 05
01.763.6109.3.084	R27056842	True 05
01.763.6110.3.010	R27057102	True 06
01.763.6110.3.071	R27057712	True 06
01.763.6110.3.073	R27057732	True 06
01.763.6110.3.087	R27110872	True 06
01.763.6117.3.570	R32117708	Captain Cook 11
01.763.6129.3.015	R32129152	Captain Cook 03
01.763.6129.3.115	R32129158	Captain Cook 03
01.763.6130.3.031	R32130312	Captain Cook 03
01.763.6130.3.131	R32130318	Captain Cook 03
01.763.6137.3.015	R32137153	Captain Cook 09
01.763.6137.3.020	R32137203	Captain Cook 09
01.763.6138.3.015	R32138153	Captain Cook 09
01.763.6138.3.030	R32138303	Captain Cook 09
01.763.6139.3.570	R32139708	Captain Cook 11
01.763.6144.3.010	R32144102	Captain Cook 03
01.763.6144.3.020	R32144202	Captain Cook 03
01.764.0408.3.061	R12408613	DiaStar Original 06
01.764.0408.3.063	R12408633	DiaStar Original 06
01.764.0413.3.003	R12413033	DiaStar Original 07
01.764.0413.3.007	R12413073	DiaStar Original 07
01.764.0413.3.019	R12413193	DiaStar Original 07

INDEX BY WATCH REFERENCE

Watch Reference	PIC-Code	Page
01.764.0413.3.024	R12413243	DiaStar Original 07
01.764.0413.3.031	R12413313	DiaStar Original 07
01.764.0413.3.032	R12413323	DiaStar Original 08
01.764.0413.3.034	R12413343	DiaStar Original 08
01.764.0413.3.049	R12413493	DiaStar Original 08
01.764.0413.3.050	R12413503	DiaStar Original 09
01.764.0413.3.052	R12413523	DiaStar Original 09
01.764.0413.3.053	R12413533	DiaStar Original 09
01.764.0413.3.057	R12413573	DiaStar Original 09
01.764.0413.3.061	R12413613	DiaStar Original 08
01.764.0413.3.070	R12413703	DiaStar Original 08
01.764.0413.3.080	R12413803	DiaStar Original 08
01.764.0413.3.131	R12413314	DiaStar Original 07
01.764.0413.3.158	R12413584	DiaStar Original 08
01.764.0995.3.020	R12995203	DiaStar Original 04
01.764.0998.3.015	R12998153	DiaStar Original 04
01.764.0999.3.015	R12999153	DiaStar Original 04
01.764.0999.3.025	R12999253	DiaStar Original 04
01.764.6160.3.010	R12160103	DiaStar Original 03
01.764.6160.3.021	R12160213	DiaStar Original 03
01.764.6160.3.030	R12160303	DiaStar Original 03
01.764.6163.3.511	R12163118	DiaStar Original 03
01.766.6112.3.031	R27112312	True Thinline 03
01.771.6050.3.016	R32050163	HyperChrome 07
01.771.6050.3.020	R32050203	HyperChrome 07
01.772.0137.3.415	R14137156	DiaMaster 03
01.772.0138.3.420	R14138206	DiaMaster 03
01.772.0140.3.402	R14140026	DiaMaster 03
01.772.3878.4.016	R22878163	Coupole Classic 03
01.772.3878.4.031	R22878313	Coupole Classic 03
01.772.3878.4.104	R22878045	Coupole Classic 03
01.772.3879.2.121	R22879215	Coupole Classic 03
01.772.3879.2.131	R22879315	Coupole Classic 03
01.772.3879.2.132	R22879325	Coupole Classic 03
01.773.6053.3.410	R14053106	DiaMaster 03
01.773.6053.3.420	R14053206	DiaMaster 03
01.773.6053.3.471	R14053716	DiaMaster 03
01.801.6145.3.515	R32145158	Captain Cook 08
01.801.6145.3.520	R32145208	Captain Cook 08
01.801.6146.3.520	R32146208	Captain Cook 06
01.808.6147.3.016	R32147162	Captain Cook 04
01.862.6116.3.515	R32116158	Captain Cook 10
01.963.0186.3.091	R30186912	Centrix 15
01.963.0189.3.071	R30189712	Centrix 15
01.963.0190.3.070	R30190702	Centrix 15
01.963.0191.3.071	R30191712	Centrix 15
01.963.3896.2.292	R22896924	Coupole Classic 11
01.963.3897.4.090	R22897903	Coupole Classic 11
01.963.3897.4.091	R22897913	Coupole Classic 11
01.963.3897.4.092	R22897923	Coupole Classic 11
01.963.3897.4.093	R22897933	Coupole Classic 11
01.963.3897.4.094	R22897943	Coupole Classic 11

Set Reference	PIC-Code	Page
01.082.6099.3.591	R33099918	HyperChrome Classic 05
01.082.6104.3.591	R33104918	HyperChrome Classic 05
01.763.0505.3.520	R32505208	Captain Cook 14
01.763.0505.3.601	R32505019	Captain Cook 15
01.763.6105.3.010	R32105103	Captain Cook 13
01.763.6105.3.532	R32505318	Captain Cook 14
01.763.6105.3.631	R32105319	Captain Cook 13
01.763.6117.3.570	R32117708	Captain Cook 11
01.763.6139.3.570	R32139708	Captain Cook 11
01.764.6163.3.511	R12163118	DiaStar Original 03
01.862.6116.3.515	R32116158	Captain Cook 10

Accessoire Reference	PIC-Code	Page
07.03665.01	R070366501	Captain Cook 16
07.03697.01	R070369701	Captain Cook 16
07.09090.01	R070909001	Captain Cook 17
07.09115.01	R070911501	Captain Cook 17
07.09128.01	R070912801	Captain Cook 17
07.09130.01	R070913001	Captain Cook 17
07.09131.01	R070913101	Captain Cook 17
07.09132.01	R070913201	Captain Cook 20
07.09133.01	R070913301	Captain Cook 18
07.09134.01	R070913401	Captain Cook 18
07.09135.01	R070913501	Captain Cook 18
07.09136.01	R070913601	Captain Cook 19
07.09138.01	R070913801	Captain Cook 18
07.09145.01	R070914501	Captain Cook 17
07.09146.01	R070914601	Captain Cook 19
07.09147.01	R070914701	Captain Cook 18
07.09148.01	R070914801	Captain Cook 18
07.09149.01	R070914901	Captain Cook 20
07.09150.01	R070915001	Captain Cook 20
07.09159.01	R070915901	Captain Cook 20
07.09161.01	R070916101	Captain Cook 19
07.09163.01	R070916301	Captain Cook 20
07.09164.01	R070916401	Captain Cook 20
07.09165.01	R070916501	Captain Cook 21
07.09166.01	R070916601	Captain Cook 21
07.09167.01	R070916701	Captain Cook 21
07.09168.01	R070916801	Captain Cook 21
07.09169.01	R070916901	Captain Cook 21
07.09170.01	R070917001	Captain Cook 20
07.09171.01	R070917101	Captain Cook 20
07.09172.01	R070917201	Captain Cook 21
07.09173.01	R070917301	Captain Cook 21
07.09174.01	R070917401	Captain Cook 21
07.09175.01	R070917501	Captain Cook 21
07.09176.01	R070917601	Captain Cook 21
07.09177.01	R070917701	Captain Cook 19
07.09178.01	R070917801	Captain Cook 19
07.09179.01	R070917901	Captain Cook 19



CAPTAIN COOK

For the modern explorer.

The Captain Cook brings the vintage character of the original from 1962 into the 21st century. It is presented as an ideal companion for modern explorers : with its characteristic sloping bezel, reliable automatic calibre, pioneering high-tech ceramic and scratch-resistant sapphire crystal, the Captain Cook is ready for any adventure. Authentic.

RADO Captain Cook



Captain Cook

R32144202



Case : Matt Plasma high-tech ceramic



Bezel : Stainless steel turning bezel with a matt plasma high-tech ceramic insert



Case back : Titanium



Crown : Stainless steel, screwed-down



Glass : Box shaped sapphire crystal with anti-reflective coating on both faces



Bracelet : Matt plasma high-tech ceramic outer links polished plasma high-tech ceramic middle links titanium 3-fold clasp with Ceramos™ openers



R32129152 / 01.763.6129.3.015



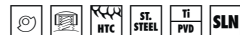
BRACELET 07.05014



Matt ceramic
ISO 6425 tested
∅ 43.0 mm ± 14.6 mm



R32129158 / 01.763.6129.3.115



COMPLETE STRAP 07.09155



Matt ceramic
ISO 6425 tested
∅ 43.0 mm ± 14.6 mm



R32144202 / 01.763.6144.3.020



BRACELET 07.05015



Matt ceramic
ISO 6425 tested
∅ 43.0 mm ± 14.6 mm



R32144102 / 01.763.6144.3.010



BRACELET 07.05015



Matt ceramic
ISO 6425 tested
∅ 43.0 mm ± 14.6 mm



R32130312 / 01.763.6130.3.031



BRACELET 07.05016



Matt ceramic
ISO 6425 tested
∅ 43.0 mm ± 14.6 mm



R32130318 / 01.763.6130.3.131



COMPLETE STRAP 07.09162



Matt ceramic
ISO 6425 tested
∅ 43.0 mm ± 14.6 mm



“Diver’s watch” card - 20.0096

7 612819 063386



“Captain Cook Limited Edition” Box - 08.468

R32147162 / 01.808.6147.3.016



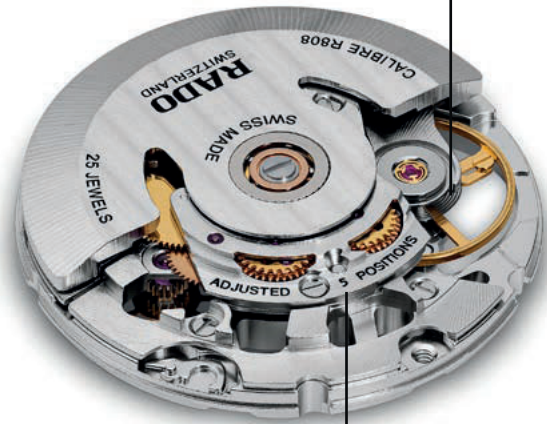
BRACELET 07.05092

Limited Edition of 1962 pieces
Matt ceramic
Special packaging
Ø 43.0 mm × 14.6 mm



NIVACHRON™

Nivachron™ is a titanium-based alloy that is used to manufacture balance springs and it is sensitive to magnetic fields, resistant to fluctuations in temperature and has outstanding impact resistance.



5 POSITIONS

The more positions a watch is adjusted in, the more precise it is during everyday use.



7 612819 060934

R32127152 / 01.734.6127.3.015
 [Icons: SLN, PVD, Ti, ST. STEEL, HTC, 50 bar (500 m), T, S]
 BRACELET 07.05014
 [Icons: Ti, HTC]

Matt ceramic
 Ø 43.0 mm ± 14.6 mm



7 612819 060958

R32127156 / 01.734.6127.3.215
 [Icons: SLN, PVD, Ti, ST. STEEL, HTC, 50 bar (500 m), T, S]
 COMPLETE STRAP 07.09155
 [Icons: Ti, HTC, CC]

Matt ceramic
 Ø 43.0 mm ± 14.6 mm



7 612819 061016

R32127162 / 01.734.6127.3.016
 [Icons: SLN, PVD, Ti, STEEL, HTC, 50 bar (500 m), T, S]
 BRACELET 07.05014
 [Icons: Ti, HTC]

Matt ceramic
 Ø 43.0 mm ± 14.6 mm



7 612819 060965

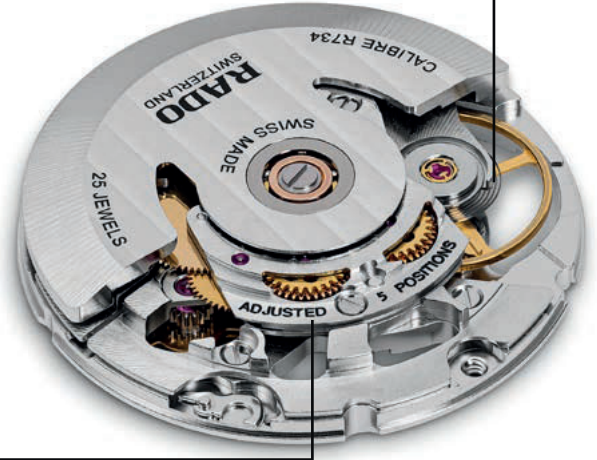
R32128202 / 01.734.6128.3.020
 [Icons: Ti, ST. STEEL, HTC, PVD, SLN, 50 bar (500 m), T, S]
 BRACELET 07.05015
 [Icons: Ti, HTC]

Matt ceramic
 Ø 43.0 mm ± 14.6 mm



NIVACHRON™

Nivachron™ is a titanium-based alloy that is used to manufacture balance springs and it is sensitive to magnetic fields, resistant to fluctuations in temperature and has outstanding impact resistance.



5
positions

5 POSITIONS

The more positions a watch is adjusted in, the more precise it is during everyday use.

7 612819 063041



"Captain Cook Automatic Chronograph" Box - 08.465

R32146208 / 01.801.6146.3.520



COMPLETE STRAP 07.09177



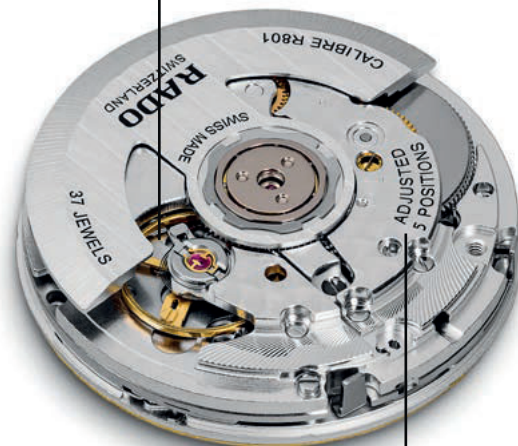
CLASP ONLY 62.0101
LOOP ONLY 76.06019
TEXTILE NATO ONLY 77.09177

Additional blue leather strap
Additional blue NATO style strap
Special packaging
Ø 43.0 mm ± 14.8 mm



NIVACHRON™

Nivachron™ is a titanium-based alloy that is used to manufacture balance springs and it is sensitive to magnetic fields, resistant to fluctuations in temperature and has outstanding impact resistance.



5 POSITIONS

The more positions a watch is adjusted in, the more precise it is during everyday use.

7 612819 060279



R32504205 / 01.763.0504.3.120



COMPLETE STRAP 07.09132



CLASP ONLY 62.0103

LEATHER PARTS ONLY 77.09132

∅ 42.0 mm ± 12.5 mm

7 612819 060286



R32504315 / 01.763.0504.3.131



COMPLETE STRAP 07.09149



CLASP ONLY 62.0103

LEATHER PARTS ONLY 77.09149

∅ 42.0 mm ± 12.5 mm

7 612819 060170



R32504306 / 01.763.0504.3.230



COMPLETE STRAP 07.09150



CLASP ONLY 62.0103

LEATHER PARTS ONLY 77.09150

∅ 42.0 mm ± 12.5 mm

7 612819 061528



R32504207 / 01.763.0504.3.220



COMPLETE STRAP 07.09177



CLASP ONLY 62.0101

LOOP ONLY 76.06019

TEXTILE NATO ONLY 77.09177

∅ 42.0 mm ± 12.5 mm

7 612819 061535



R32504317 / 01.763.0504.3.231



COMPLETE STRAP 07.09178



CLASP ONLY 62.0101

LOOP ONLY 76.06019

TEXTILE NATO ONLY 77.09178

∅ 42.0 mm ± 12.5 mm

7 612819 061634



R32504407 / 01.763.0504.3.340



COMPLETE STRAP 07.09161



CLASP ONLY 62.0101

LOOP ONLY 76.06019

TEXTILE NATO ONLY 77.09161

∅ 42.0 mm ± 12.5 mm

7 612819 063034



"Captain Cook Automatic Chronograph" Box - 08.465

R32145158 / 01.801.6145.3.515



BRACELET 07.03703



Additional brown leather strap
Additional black textile Nato style strap
Special packaging
Ø 43.0 mm ± 14.8 mm

7 612819 063027



"Captain Cook Automatic Chronograph" Box - 08.465

R32145208 / 01.801.6145.3.520



BRACELET 07.03703



Additional blue leather strap
Additional blue textile NATO style strap
Special packaging
Ø 43.0 mm ± 14.8 mm

7 612819 059976



R32105153 / 01.763.6105.3.015

BRACELET 07.03665

∅ 42.0 mm ± 12.3 mm

7 612819 059983



R32105203 / 01.763.6105.3.020

BRACELET 07.03665

∅ 42.0 mm ± 12.3 mm

7 612819 060873



R32105313 / 01.763.6105.3.031

BRACELET 07.03665

∅ 42.0 mm ± 12.3 mm

7 612819 062822



R32105353 / 01.763.6105.3.035

BRACELET 07.03665

∅ 42.0 mm ± 12.3 mm

7 612819 063683



R32137203 / 01.763.6137.3.020

BRACELET 07.03617

∅ 42.0 mm ± 12.3 mm

7 612819 063706



R32138303 / 01.763.6138.3.030

BRACELET 07.03616

∅ 42.0 mm ± 12.3 mm

7 612819 061450



R32137153 / 01.763.6137.3.015

BRACELET 07.03974

∅ 42.0 mm ± 12.3 mm

7 612819 061467



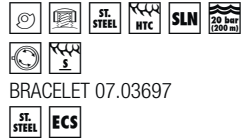
R32138153 / 01.763.6138.3.015

BRACELET 07.03998

∅ 42.0 mm ± 12.3 mm



R32505153 / 01.763.0505.3.015



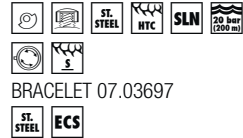
BRACELET 07.03697



Ø 42.0 mm ± 12.1 mm



R32505203 / 01.763.0505.3.020



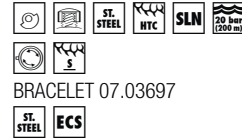
BRACELET 07.03697



Ø 42.0 mm ± 12.1 mm



R32505313 / 01.763.0505.3.031



BRACELET 07.03697



Ø 42.0 mm ± 12.1 mm



R32505305 / 01.763.0505.3.130



COMPLETE STRAP 07.09115



CLASP ONLY 72.0050

LEATHER PARTS ONLY 77.09115

Ø 42.0 mm ± 12.1 mm



R32116158 / 01.862.6116.3.515



COMPLETE STRAP 07.09191



CLASP ONLY 62.0102

LEATHER PARTS ONLY 77.09191

Limited Edition of 1962 pieces
Additional stainless steel rice-grain type bracelet
Additional brown leather style pouch
Ø 37.0 mm ± 10.3 mm



NIVACHRON™



Nivachron™ is a titanium-based alloy that is used to manufacture balance springs and it is sensitive to magnetic fields, resistant to fluctuations in temperature and has outstanding impact resistance.

5 POSITIONS



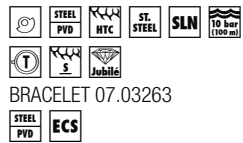
The more positions a watch is adjusted in, the more precise it is during everyday use.



7 612819 063621



R32117708 / 01.763.6117.3.570



BRACELET 07.03263

8 precious stones, 0.070 carat
Special Edition
Special engraving on case back: marina hoermanseder, hearts and marina's signature elements
Additional black leather strap
Additional black double tour leather strap
Additional black pouch
∅ 37.0 mm ± 11.1 mm



7 612819 061665



R32139708 / 01.763.6139.3.570



COMPLETE STRAP 07.09180

CLASP ONLY 62.0105
LEATHER PARTS ONLY 77.09180

8 diamonds, 0.064 carat
Special Edition
Special engraving on case back: marina hoermanseder, hearts and marina's signature elements
Additional black leather strap
Additional pink double tour leather strap
Additional pink pouch
∅ 37.0 mm ± 11.1 mm



Strength, bravery and originality have been hallmarks of the feminine universe since time began. Rado has chosen to underline those timeless values alongside Marina Hoermanseder, in a statement of great uniqueness, joyful celebration and truly affirmed personality.

7 612819 059617



R32500203 / 01.763.0500.3.020



BRACELET 07.03932



∅ 37.0 mm ± 11.1 mm

7 612819 059631



R32500323 / 01.763.0500.3.032



BRACELET 07.03932



∅ 37.0 mm ± 11.1 mm

7 612819 060514



R32500013 / 01.763.0500.3.001



BRACELET 07.03932



∅ 37.0 mm ± 11.1 mm

7 612819 055435



R32500703 / 01.763.0500.3.070



BRACELET 07.03913



8 diamonds, 0.064 carat
∅ 37.0 mm ± 11.1 mm

7 612819 060187



R32105103 / 01.763.6105.3.010



BRACELET 07.03697



Limited Edition of 999 pieces
 Additional grey textile NATO strap
 Additional grey leather strap
 Additional leather travel pouch
 Engraved Revolution logo on case back
 Matt ceramic insert
 Ø 42.0 mm × 12.3 mm



7 612819 060903



R32105319 / 01.763.6105.3.631



BRACELET 07.03665



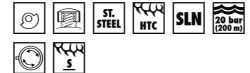
Special Edition
 Additional green textile NATO strap
 Additional green leather strap
 Additional leather travel pouch with Hrithik's signature
 Ø 42.0 mm × 12.3 mm



7 612819 060316



R32505208 / 01.763.0505.3.520



BRACELET 07.03697



Additional blue textile NATO strap
Additional brown leather strap
Additional leather travel pouch
Ø 42.0 mm ± 12.1 mm



pouch and straps only: R072500501 / 07.250.05.01

7 612819 060309



R32505318 / 01.763.6105.3.532



BRACELET 07.03697



Additional green textile NATO strap
Additional green leather strap
Additional leather travel pouch
Ø 42.0 mm ± 12.1 mm



pouch and straps only: R072500501 / 07.250.04.01

7 612819 063010 



R32505019 / 01.763.0505.3.601



COMPLETE STRAP 07.09192



Additional brown leather strap
Additional stainless steel rice-grain type bracelet
Additional leather travel pouch
Matt ceramic insert
Ø 42.0 mm × 12.1 mm



Interchangeable bracelets and straps with EasyClip System.



CAPTAIN COOK - Stainless steel rice grain



HORN WIDTH : 21 mm

REFERENCE : R070369701 / 07.03697.01



CAPTAIN COOK - Stainless steel 3-link



HORN WIDTH : 21 mm

REFERENCE : R070366501 / 07.03665.01



CAPTAIN COOK - Brown leather suede



HORN WIDTH : 21 mm

REFERENCE : R070911501 / 07.09115.01



CAPTAIN COOK - Light Brown leather suede



HORN WIDTH : 21 mm

REFERENCE : R070909001 / 07.09090.01



CAPTAIN COOK - Black leather



HORN WIDTH : 21 mm

REFERENCE : R070913001 / 07.09130.01



CAPTAIN COOK - Blue leather



HORN WIDTH : 21 mm

REFERENCE : R070913101 / 07.09131.01



CAPTAIN COOK - Green leather



HORN WIDTH : 21 mm

REFERENCE : R070912801 / 07.09128.01



CAPTAIN COOK - Grey leather



HORN WIDTH : 21 mm

REFERENCE : R070914501 / 07.09145.01



CAPTAIN COOK - Blue leather NATO



HORN WIDTH : 21 mm

REFERENCE : R070913401 / 07.09134.01



CAPTAIN COOK - Green leather NATO



HORN WIDTH : 21 mm

REFERENCE : R070913301 / 07.09133.01



CAPTAIN COOK - Brown leather NATO



HORN WIDTH : 21 mm

REFERENCE : R070913801 / 07.09138.01



CAPTAIN COOK - Black textile NATO



HORN WIDTH : 21 mm

REFERENCE : R070913501 / 07.09135.01



CAPTAIN COOK - Blue textile NATO



HORN WIDTH : 21 mm

REFERENCE : R070914701 / 07.09147.01



CAPTAIN COOK - Green textile NATO



HORN WIDTH : 21 mm

REFERENCE : R070914801 / 07.09148.01



CAPTAIN COOK - Brown textile NATO

FC ST. STEEL ECS



HORN WIDTH : 21 mm

REFERENCE : R070913601 / 07.09136.01



CAPTAIN COOK - Grey textile NATO

FC ST. STEEL ECS



HORN WIDTH : 21 mm

REFERENCE : R070914601 / 07.09146.01



CAPTAIN COOK - Blue textile NATO

FC BRONZE ECS



HORN WIDTH : 21 mm

REFERENCE : R070917701 / 07.09177.01



CAPTAIN COOK - Green textile NATO

FC BRONZE ECS



HORN WIDTH : 21 mm

REFERENCE : R070917801 / 07.09178.01



CAPTAIN COOK - Black textile NATO

FC BRONZE ECS



HORN WIDTH : 21 mm

REFERENCE : R070917901 / 07.09179.01



CAPTAIN COOK - Red textile NATO

FC BRONZE ECS



HORN WIDTH : 21 mm

REFERENCE : R070916101 / 07.09161.01



CAPTAIN COOK - Blue leather



HORN WIDTH : 21 mm

REFERENCE : R070913201 / 07.09132.01



CAPTAIN COOK - Green leather



HORN WIDTH : 21 mm

REFERENCE : R070914901 / 07.09149.01



CAPTAIN COOK - Brown leather



HORN WIDTH : 21 mm

REFERENCE : R070915001 / 07.09150.01



CAPTAIN COOK - Red leather



HORN WIDTH : 21 mm

REFERENCE : R070915901 / 07.09159.01



CAPTAIN COOK - Yellow leather



HORN WIDTH : 21 mm

REFERENCE : R070916301 / 07.09163.01



19 mm

R070917001 / 07.09170.01



CAPTAIN COOK - Orange leather



HORN WIDTH : 21 mm

REFERENCE : R070916401 / 07.09164.01



19 mm

R070917101 / 07.09171.01



CAPTAIN COOK - Red leather



HORN WIDTH : 21 mm

REFERENCE : R070916501 / 07.09165.01



19 mm

R070917201 / 07.09172.01



CAPTAIN COOK - Pink leather



HORN WIDTH : 21 mm

REFERENCE : R070916601 / 07.09166.01



19 mm

R070917301 / 07.09173.01



CAPTAIN COOK - Purple leather



HORN WIDTH : 21 mm

REFERENCE : R070916701 / 07.09167.01



19 mm

R070917401 / 07.09174.01



CAPTAIN COOK - Blue leather



HORN WIDTH : 21 mm

REFERENCE : R070916801 / 07.09168.01



19 mm

R070917501 / 07.09175.01



CAPTAIN COOK - Turqois leather



HORN WIDTH : 21 mm

REFERENCE : R070916901 / 07.09169.01



19 mm

R070917601 / 07.09176.01





Watches will still be delivered with standard leather straps. XS/XL leather straps are only available for order as spare parts.



XL STRAPS

References	Complete strap	Color	Clasp only	Color	Leather parts only
01.763.0504.3.120	07.29132	Blue	62.0103	Bronze	77.29132
01.763.0504.3.131	07.29149	Green	62.0103	Bronze	77.29149
01.763.0504.3.230	07.29150	Brown	62.0103	Bronze	77.29150
01.763.0505.3.520	07.29090	Light Brown	72.0050	Steel	77.29090
01.763.0505.3.531	07.29115	Dark Brown	72.0050	Steel	77.29115
01.763.0505.3.130	07.29115	Dark Brown	72.0050	Steel	77.29115
01.763.6105.3.631	07.29128	Green	72.0050	Steel	77.29128
01.763.6105.3.010	07.29145	Grey	72.0050	Steel	77.29145

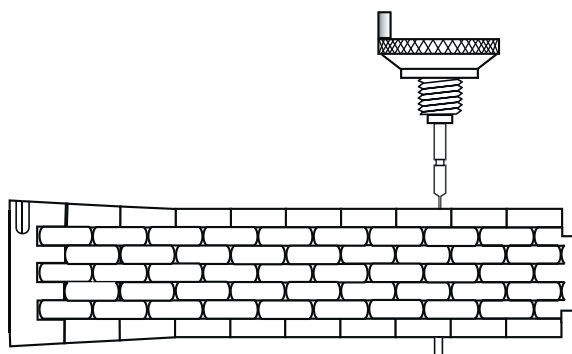


XS STRAPS

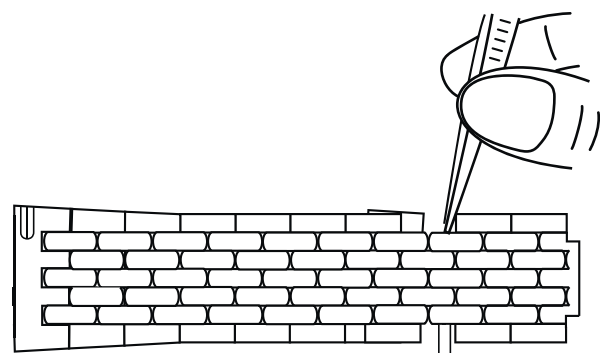
References	Complete strap	Color	Clasp only	Color	Leather parts only
01.763.0504.3.120	07.19132	Blue	62.0103	Bronze	77.19132
01.763.0504.3.131	07.19149	Green	62.0103	Bronze	77.19149
01.763.0504.3.230	07.19150	Brown	62.0103	Bronze	77.19150
01.763.0505.3.520	07.19090	Light Brown	72.0050	Steel	77.19090
01.763.0505.3.531	07.19115	Dark Brown	72.0050	Steel	77.19115
01.763.0505.3.130	07.19115	Dark Brown	72.0050	Steel	77.19115
01.763.6105.3.631	07.19128	Green	72.0050	Steel	77.19128
01.763.6105.3.010	07.19145	Grey	72.0050	Steel	77.19145

REFERENCES

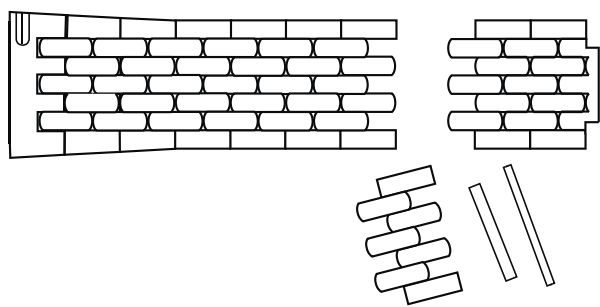
- 03263
- 03697
- 03932
- 03998
- 03974



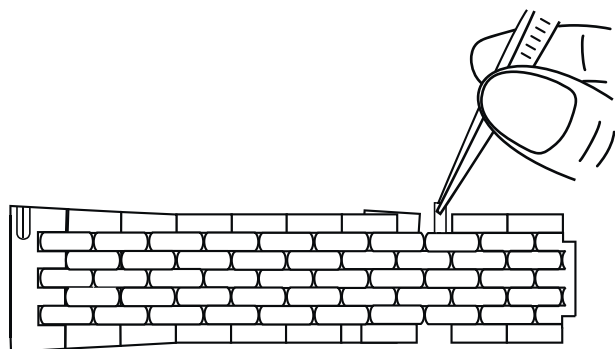
Press out the pin with the device 89.8250.00 in any direction.



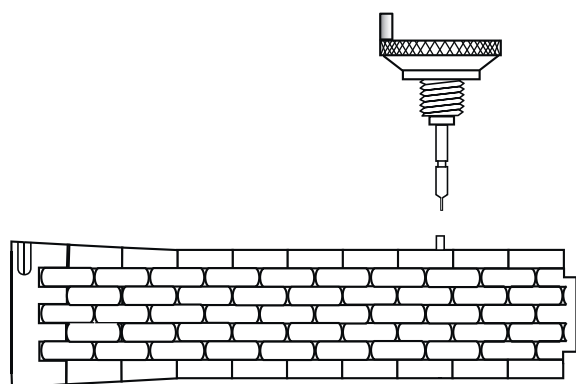
Turn the link and push out the tube.



Shorten the bracelet as desired.



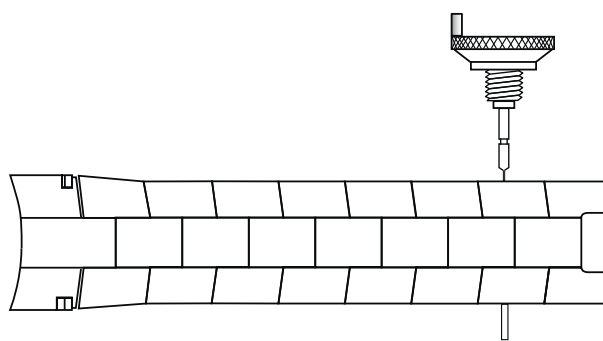
Put the bracelet together and insert the tube into the bracelet link. Close the outer link.



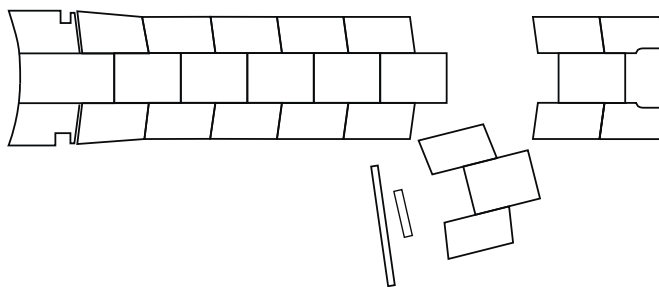
Press in the pin with the device 89.8250.00 in any direction.

REFERENCES

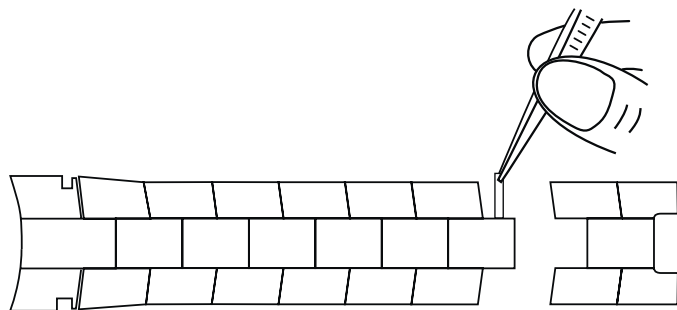
- 05014
- 05015
- 05016
- 05092



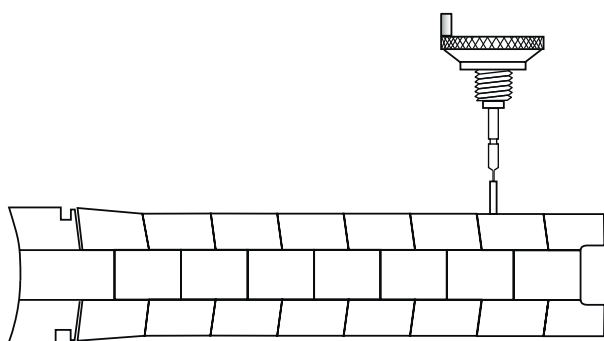
Press out the pin with the device 89.8250.00 in any direction.



Shorten the bracelet as desired.



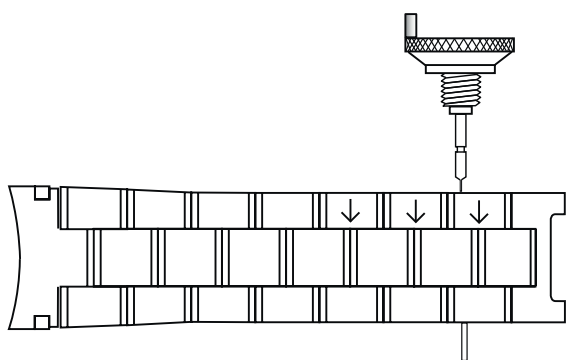
Insert the tube into the bracelet link.



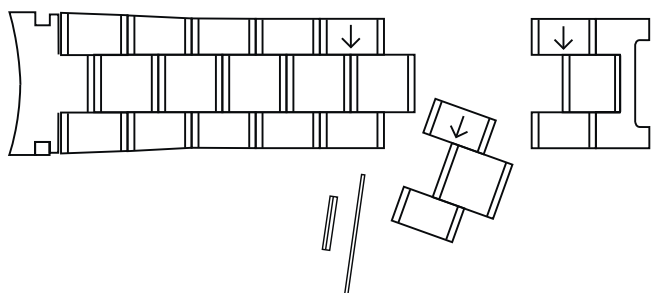
Press in the pin with the device 89.8250.00 in any direction.

REFERENCES

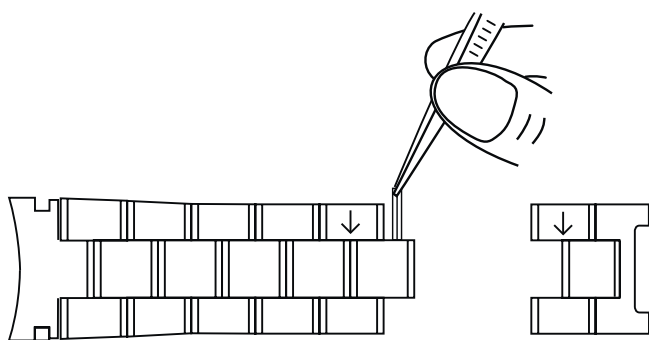
- 03616
- 03617
- 03665
- 03703



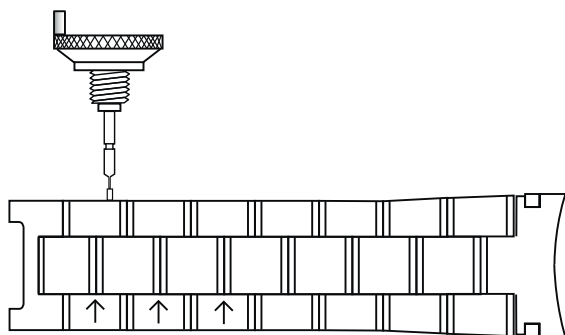
Press out the pin with the device 89.8250.00 in arrow direction.



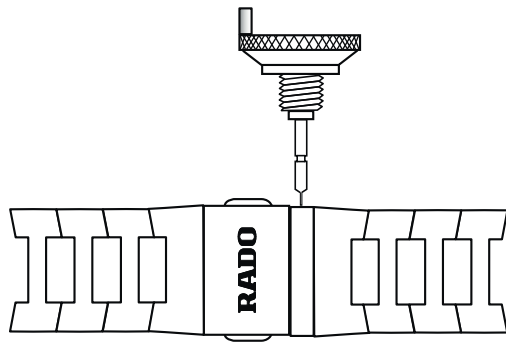
Separate bracelet and shorten it as desired.



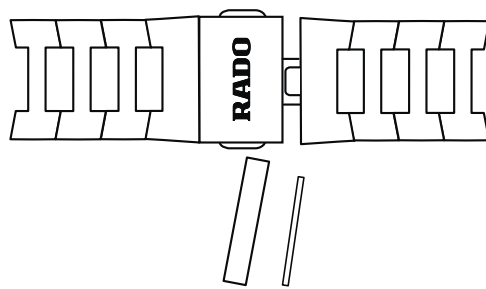
Insert the tube into the bracelet link in arrow direction.



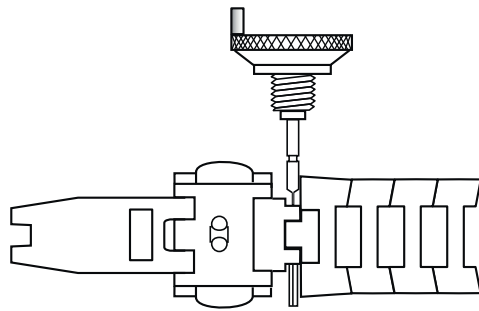
Put the bracelet together and turn it 180°. Insert the pin against the arrow direction and press it in.



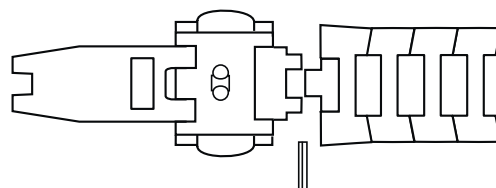
Press out the pin with the device 89.8250.00 in any direction.



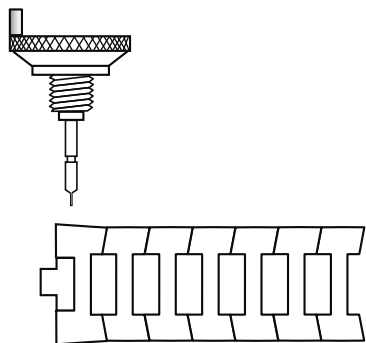
Remove the half link.



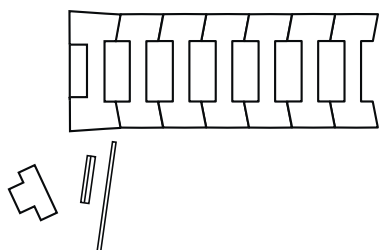
Push out the tube from steel link.



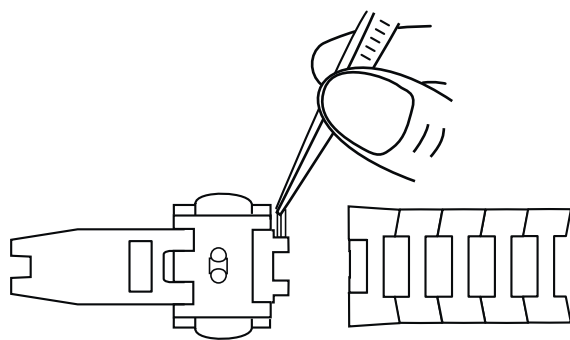
Separate the bracelet.



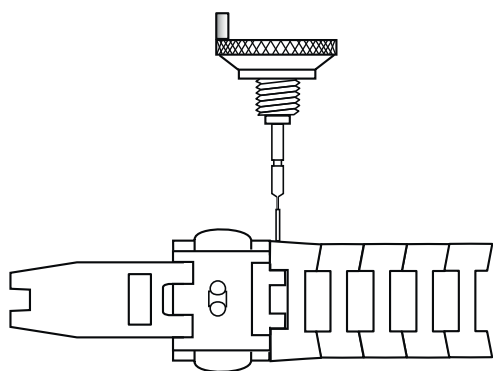
Press out the pin with the device 89.8250.00 in any direction.



Remove the T-link.



Insert the tube into the steel link and fit the bracelet together.



Press in the pin with the device 89.8250.00 in any direction.



RADO HYPERCHROME

A technological breakthrough

Reaching new summits of technical complexity, a monobloc case forms the entire structure of the timepiece. Contrasting parentheses protect and underline its uniqueness. Revolutionary.






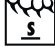



RADO HyperChrome



HyperChrome

R32118102













-  Case: Plasma high-tech ceramic
-  Side insert: PVD coated stainless steel
-   Case back: Plasma high-tech ceramic with sapphire crystal
-  Crown: PVD coated stainless steel
-  Glass: Curved sapphire crystal with anti-reflective coating on both sides
-  Bracelet: Plasma high-tech ceramic
-   Clasp: Titanium 3-fold with Ceramos openers

HyperChrome Diamonds

R32043712



-  Case: Plasma high-tech ceramic
-  Diamonds
-  Side Insert: PVD coated stainless steel
-   Case back: Titanium with sapphire crystal
-  Crown: PVD coated stainless steel
-  Glass: Curved sapphire crystal with anti-reflective coating on both faces
-  Bracelet: Plasma high-tech ceramic
-   Clasp: Titanium 3-fold with Ceramos™ openers

7 612819 058276



R32482722 / 01.580.0482.3.072



Jubilee
BRACELET 07.04970



406 diamonds, 1.339 carat
60 diamonds, 0.390 carat
∅ 36.0 mm ± 10.5 mm

7 612819 058283



R32523722 / 01.580.0523.3.072



Jubilee
BRACELET 07.04938



406 diamonds, 1.339 carat
60 diamonds, 0.390 carat
∅ 36.0 mm ± 10.5 mm

7 612819 060262



R32051102 / 01.580.6051.3.010



Jubilee
BRACELET 07.04938



56 diamonds, 0.834 carat
∅ 36.0 mm ± 10.4 mm

7 612819 060255



R32052012 / 01.580.6052.3.001



Jubilee
BRACELET 07.04938

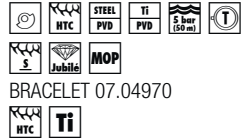


56 diamonds, 0.834 carat
∅ 36.0 mm ± 10.4 mm

7 612819 062792



R32044902 / 01.580.6044.3.090



BRACELET 07.04970



12 diamonds, 0.078 carat
 Ø 36.0 mm ± 10.4 mm

7 612819 062785



R32043712 / 01.586.6043.3.071



BRACELET 07.04938

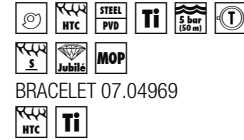


12 diamonds, 0.078 carat
 Ø 36.0 mm ± 10.4 mm

7 612819 062808



R32033902 / 01.580.6033.3.090



BRACELET 07.04969



12 diamonds, 0.078 carat
 Ø 36.0 mm ± 10.4 mm

7 612819 058122



R32041702 / 01.580.6041.3.070



BRACELET 07.04938

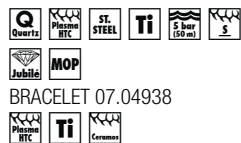


12 diamonds, 0.078 carat
 Limited Edition of 1314 pieces
 Ø 36.0 mm ± 10.4 mm

7 612819 062860



R32027962 / 01.082.6027.3.096



BRACELET 07.04938



3 diamonds, 0.063 carat
 Limited Edition of 996 pieces
 Rotating tennis ball on dial
 Special engraving on case back: Ash Barty, tennis ball with her signature
 Ø 36.0 mm ± 10.4 mm

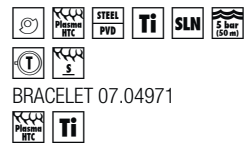


Ash Barty's Rado connection goes back to 2017, when she joined the Swiss watchmaker's YoungStar programme. With Rado she shares an abiding love of the game, unwavering determination and a passion for endlessly inventive and creative play. Ash also enjoys the design aspect of the relationship and worked with Rado designers to develop the look of a second Rado HyperChrome Ash Barty Limited Edition.

7 612819 057125



R32021102 / 01.734.0021.3.010



BRACELET 07.04971

∅ 42.0 mm ± 10.2 mm

7 612819 063652



R32256712 / 01.763.0256.3.071



BRACELET 07.04971

∅ 42.0 mm ± 10.2 mm

7 612819 054605



R32252162 / 01.763.0252.3.016



BRACELET 07.04935

∅ 42.0 mm ± 10.2 mm

7 612819 054629



R32254302 / 01.763.0254.3.030



BRACELET 07.04971

∅ 42.0 mm ± 10.2 mm

7 612819 054612



R32254202 / 01.763.0254.3.020



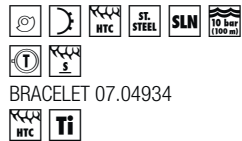
BRACELET 07.04971

∅ 42.0 mm ± 10.2 mm

7 612819 055329



R32121152 / 01.650.0121.3.015



BRACELET 07.04934

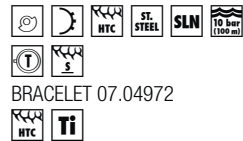


Matt ceramic middle links
Ø 45.0 mm ± 13.0 mm

7 612819 058498



R32525202 / 01.650.0525.3.020



BRACELET 07.04972

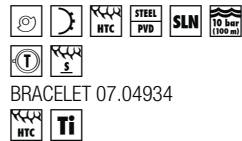


Matt ceramic
Ø 45.0 mm ± 13.0 mm

7 612819 055312



R32111162 / 01.650.0111.3.016



BRACELET 07.04934

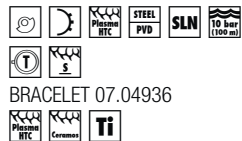


Matt ceramic middle links
Ø 45.0 mm ± 13.0 mm

7 612819 051109



R32118102 / 01.650.0118.3.010



BRACELET 07.04936

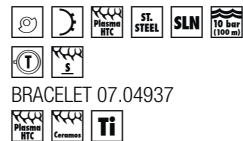


Matt ceramic middle links
Ø 45.0 mm ± 13.0 mm

7 612819 056456



R32022102 / 01.650.0022.3.010



BRACELET 07.04937



Limited Edition of 999 pieces
Matt ceramic
Ø 45.0 mm ± 13.0 mm

7 612819 058511



R32042153 / 01.603.6042.3.015

BRACELET 07.03699

∅ 44.0 mm ± 15.1 mm

7 612819 058528



R32042203 / 01.603.6042.3.020

BRACELET 07.03699

∅ 44.0 mm ± 15.1 mm

7 612819 062853



R32050163 / 01.771.6050.3.016

BRACELET 07.03698

Limited Edition of 999 pieces
∅ 44.0 mm ± 13.1 mm

7 612819 058573



R32050203 / 01.771.6050.3.020

BRACELET 07.03698

Limited Edition of 999 pieces
∅ 44.0 mm ± 13.1 mm

7 612819 054995



R32259153 / 01.312.0259.3.015



BRACELET 07.03636



Ø 44.9 mm ± 11.7 mm

7 612819 055022



R32259163 / 01.312.0259.3.016



BRACELET 07.03636



Ø 44.9 mm ± 11.7 mm

7 612819 055374



R32259203 / 01.312.0259.3.020



BRACELET 07.03636



Ø 44.9 mm ± 11.7 mm

7 612819 054988



R32259313 / 01.312.0259.3.031



BRACELET 07.03636



Ø 44.9 mm ± 11.7 mm



7 612819 056647



R32502153 / 01.073.0502.3.015



BRACELET 07.03666



∅ 44.9 mm ÷ 10.1 mm



7 612819 062846



R32502163 / 01.073.0502.3.016



BRACELET 07.03666



∅ 44.9 mm ÷ 10.1 mm



7 612819 056678



R32502203 / 01.073.0502.3.020



BRACELET 07.03666



∅ 44.9 mm ÷ 10.1 mm



7 612819 056685



R32502313 / 01.073.0502.3.031



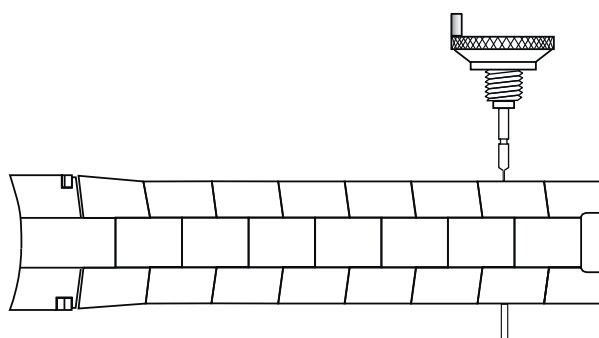
BRACELET 07.03666



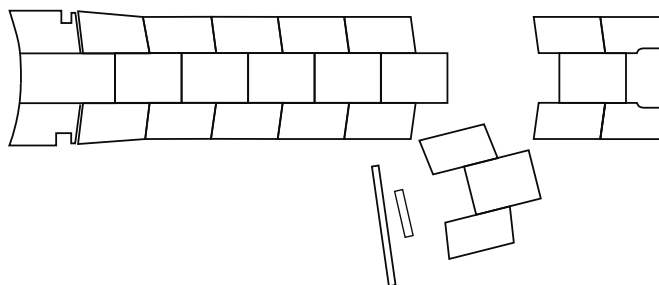
∅ 44.9 mm ÷ 10.1 mm

REFERENCES

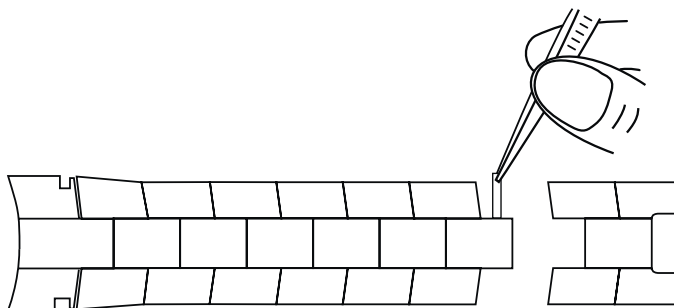
- 04934
- 04935
- 04936
- 04937
- 04938
- 04969
- 04970
- 04971
- 04972



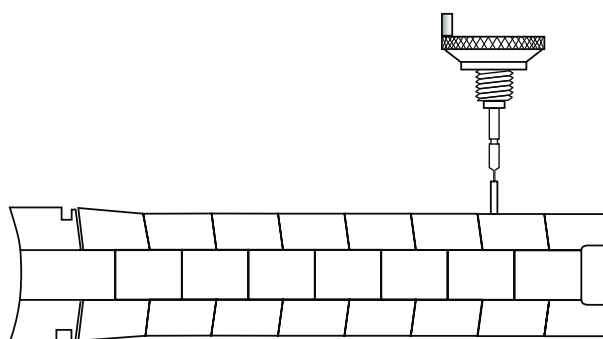
Press out the pin with the device 89.8250.00 in any direction.



Shorten the bracelet as desired.



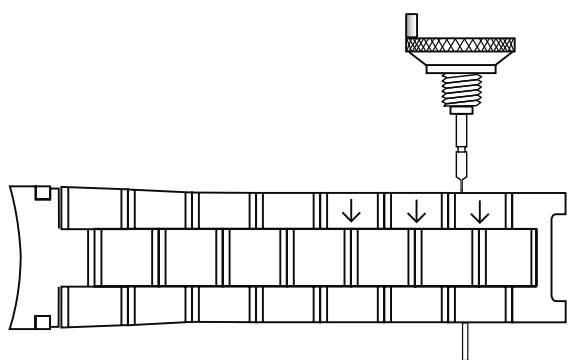
Insert the tube into the bracelet link.



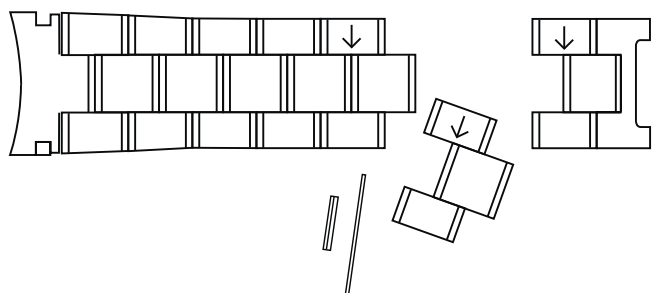
Press in the pin with the device 89.8250.00 in any direction.

REFERENCES

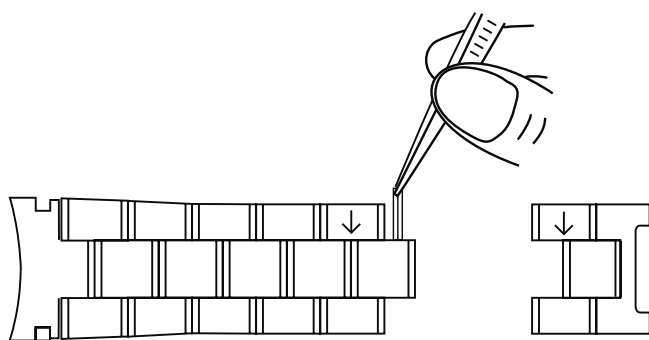
- 03636
- 03666
- 03698
- 03699



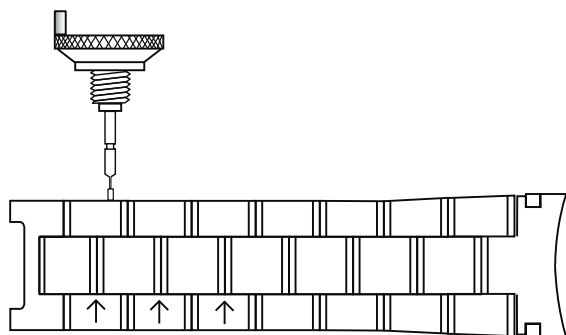
Press out the pin with the device 89.8250.00 in arrow direction.



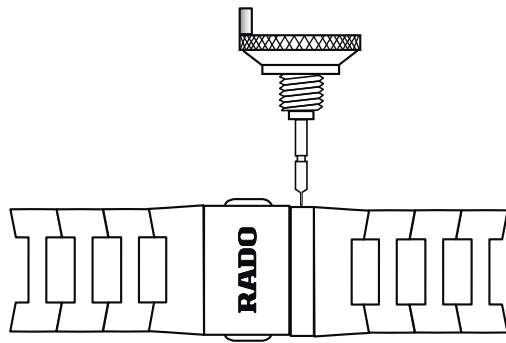
Separate bracelet and shorten it as desired.



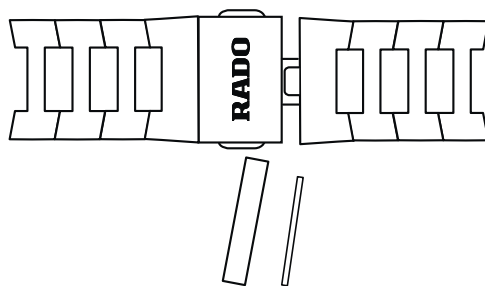
Insert the tube into the bracelet link in arrow direction.



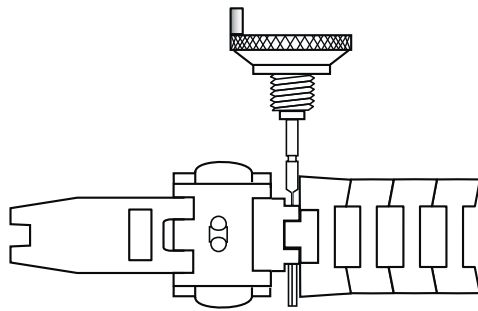
Put the bracelet together and turn it 180°. Insert the pin against the arrow direction and press it in.



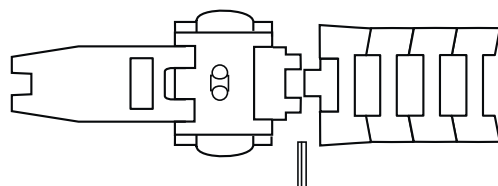
Press out the pin with the device 89.8250.00 in any direction.



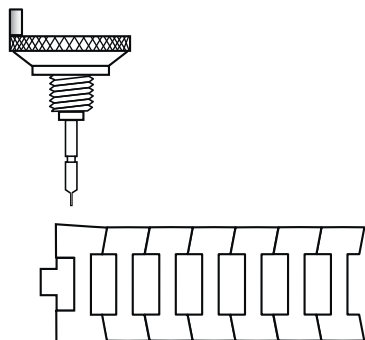
Remove the half link.



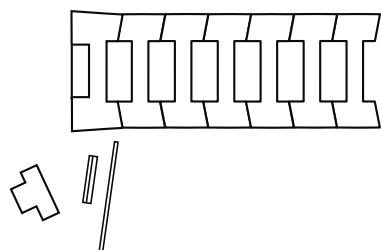
Push out the tube from steel link.



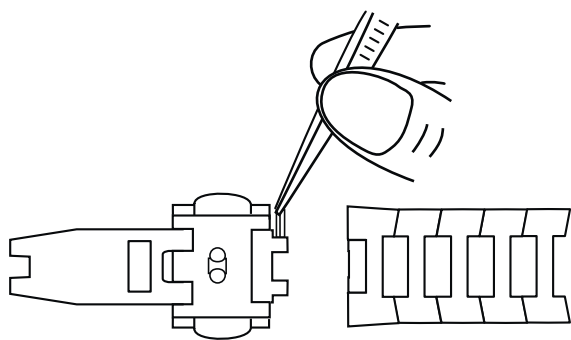
Separate the bracelet.



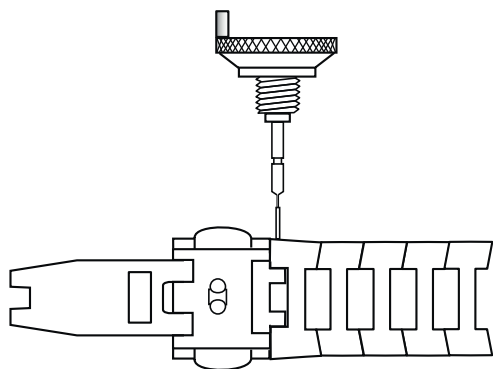
Press out the pin with the device 89.8250.00
in any direction.



Remove the T-link.



Insert the tube into the steel link and fit the
bracelet together.



Press in the pin with the device 89.8250.00
in any direction.



TRUE SQUARE

Shapes of the future.

Rado once caused a sensation with the first square ceramic watch. A square monobloc case made from high-tech ceramic, the flowing shapes of which are produced using injection moulding. A spectacular creation in white, black or shiny metallic plasma high-tech ceramic. Visionary.

RADO

True Square



True Square Open Heart

R27073702



Diamonds



Case : High-tech ceramic



Case back : Titanium with sapphire crystal



Crown : High-tech ceramic



Glass : Flat sapphire crystal with anti-reflective coating on both sides



Bracelet : High-tech ceramic



Clasp : Titanium 3-fold

7 612819 061214



R27086152 / 01.734.6086.3.015



BRACELET 07.05069



∅ 38.0 mm ÷ 9.7 mm

7 612819 059334



R27086162 / 01.734.6086.3.016



BRACELET 07.05069



∅ 38.0 mm ÷ 9.7 mm

7 612819 059341



R27083202 / 01.734.6083.3.020



BRACELET 07.05070

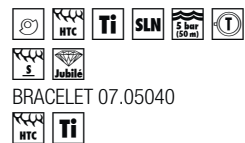


∅ 38.0 mm ÷ 9.7 mm

7 612819 061085



R27073702 / 01.734.6073.3.070



BRACELET 07.05040



12 diamonds, 0.096 carat
∅ 38.0 mm ÷ 9.7 mm

7 612819 063362



R27073012 / 01.734.6073.3.001



BRACELET 07.05040



∅ 38.0 mm ÷ 9.7 mm

7 612819 063768



R27123905 / 01.734.6123.3.190



COMPLETE STRAP 07.09205



Digital printing on sapphire crystal case back:
ASH BARTY LIMITED EDITION and Ash's signature
Special engraving on case back: ONE OUT OF 996
Ø 38.0 mm × 9.7 mm

Designed in collaboration with Ash Barty, the former world No. 1 ranked Women's Tennis Association player. Celebrating Ash's career and continued status as Rado ambassador.

7 612819 059860



R27076012 / 01.763.6076.3.001



BRACELET 07.05075



Special Edition
Special engraving FORMAFANTASMA on case back
Ø 38.0 mm × 10.4 mm

A design collaboration with the award-winning italian-dutch design duo that gives its name to the watch – is sticking with tradition with a side of mystery.

7 612819 059877



R27075152 / 01.763.6075.3.015



BRACELET 07.05076



Special Edition
Special engraving YOY on case back
∅ 38.0 mm × 9.6 mm

Elegant, self-confident, resilient – and now award-winning, too: it has won the renowned iF Design Award 2021. The watch, which was created in collaboration with the Japanese design duo YOY, quotes two real style icons in a way that is as clever as it is stylish: the classic digital display and the famous square Rado ceramic watch.

7 612819 061405



R27070202 / 01.763.6070.3.020



BRACELET 07.05084



Special Edition
Digital printed drawing and special engraving
THUKRAL AND TAGRA on case back
∅ 38.0 mm × 9.7 mm

A design collaboration with New Delhi artist duo Thukral and Tagra. A timepiece that presses on our temporality as individuals and highlights the importance of our connection with others.

7 612819 059419



R27078702 / 01.763.6078.3.070



BRACELET 07.05069



12 diamonds, 0.120 carat
∅ 38.0 mm ± 9.6 mm

7 612819 059396



R27078722 / 01.763.6078.3.072



BRACELET 07.05069

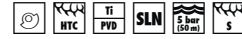


4 diamonds, 0.040 carat
∅ 38.0 mm ± 9.6 mm

7 612819 059402



R27078162 / 01.763.6078.3.016



BRACELET 07.05069



∅ 38.0 mm ± 9.6 mm

7 612819 059372



R27077702 / 01.763.6077.3.070



BRACELET 07.05070



12 diamonds, 0.120 carat
∅ 38.0 mm ± 9.6 mm

7 612819 059389



R27077202 / 01.763.6077.3.020



BRACELET 07.05070



∅ 38.0 mm ± 9.6 mm

7 612819 059792



R27077312 / 01.763.6077.3.031



BRACELET 07.05070



∅ 38.0 mm ± 9.6 mm

7 612819 059808



R27080702 / 01.079.6080.3.070



12 diamonds, 0.096 carat
∅ 29.0 mm ± 8.1 mm

7 612819 059327



R27080722 / 01.079.6080.3.072



4 diamonds, 0.032 carat
∅ 29.0 mm ± 8.1 mm

7 612819 059310



R27080162 / 01.079.6080.3.016



∅ 29.0 mm ± 8.1 mm

7 612819 059303



R27079702 / 01.079.6079.3.070



12 diamonds, 0.096 carat
∅ 29.0 mm ± 8.1 mm

7 612819 061078



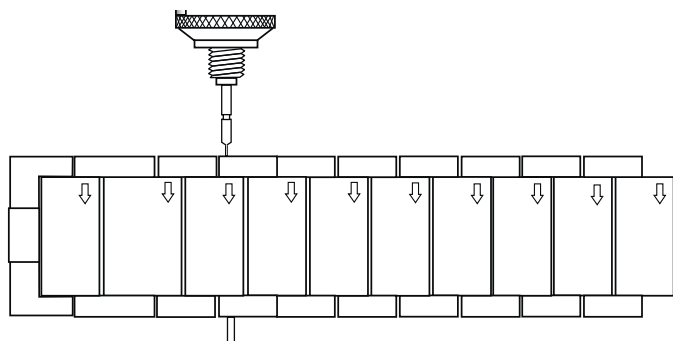
R27072902 / 01.079.6072.3.090



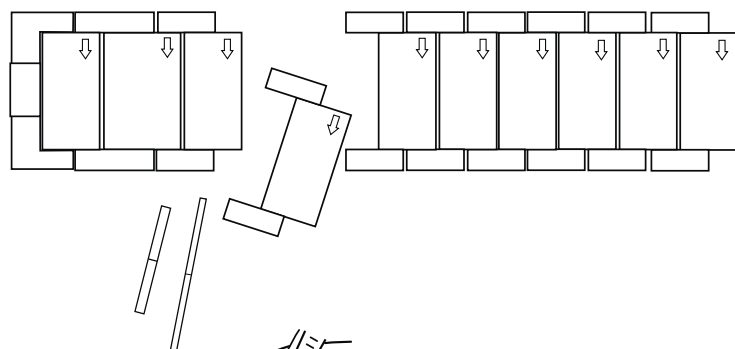
4 diamonds, 0.032 carat
∅ 29.0 mm ± 8.1 mm

REFERENCES

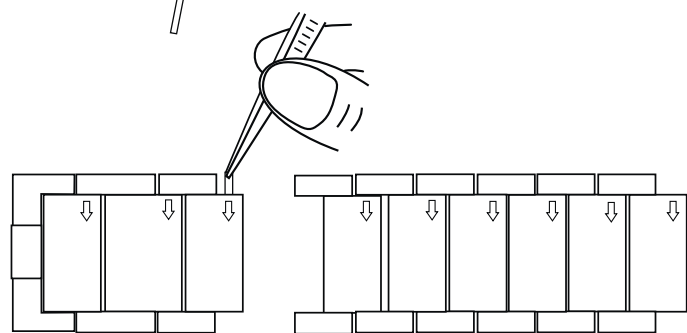
- 04789
- 04790
- 04791
- 05040
- 05069
- 05070
- 05075
- 05076
- 05084



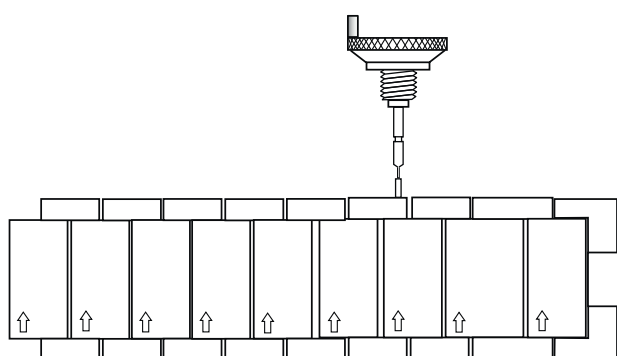
Press out the pin with the device 89.8250.00 in arrow direction.



Separate bracelet and shorten it as desired.



Insert the tube into the bracelet link in arrow direction.



Put the bracelet together and turn it 180°. Insert the pin against the arrow direction and press in the pin with the device 89.8250.00.



RADO TRUE

The new True collection with a modern twist

Introduced in 2006, the True was the first Rado to sport both shiny and matt high-tech ceramic, allowing for more daring, eye-catching designs. Today a monobloc case and new bracelet make the True the perfect every-day watch. Contemporary.

RADO True

RADO
TRUE



True Open Heart

R27107732



Diamonds



Case : High-tech ceramic



Case back : PVD coated titanium with sapphire crystal



Crown : High-tech ceramic



Glass : Curved sapphire crystal with anti-reflective coated on both sides



Bracelet : High-tech ceramic



Clasp : Titanium 3-fold

7 612819 056609



R27100162 / 01.734.6107.3.016



BRACELET 07.05069



∅ 40.0 mm ÷ 10.4 mm

7 612819 057606



R27510152 / 01.734.0510.3.015



BRACELET 07.04787



∅ 40.0 mm ÷ 10.4 mm

7 612819 056630



R27511302 / 01.734.0511.3.030



BRACELET 07.04963



∅ 40.0 mm ÷ 10.4 mm

7 612819 062259



R27106922 / 01.734.0106.3.092



BRACELET 07.04788



∅ 40.0 mm ÷ 10.4 mm

7 612819 060576



R27107732 / 01.734.6107.3.073



BRACELET 07.05069



12 diamonds, 0.120 carat
Ø 40.0 mm ± 10.4 mm

7 612819 060057



R27107152 / 01.734.6107.3.015



BRACELET 07.05069



Ø 40.0 mm ± 10.4 mm

7 612819 062884



R27107742 / 01.734.6107.3.074



BRACELET 07.05069



12 diamonds, 0.120 carat
Launch January 2022
Ø 40.0 mm ± 10.4 mm

7 613285 445089



R27108732 / 01.734.6108.3.073



BRACELET 07.05070



12 diamonds, 0.120 carat
Ø 40.0 mm ± 10.4 mm

7 612819 062877



R27108322 / 01.734.6108.3.032



BRACELET 07.05070



Launch January 2022
Ø 40.0 mm ± 10.4 mm

7 612819 060088



R27108312 / 01.734.6108.3.031



BRACELET 07.05070



Ø 40.0 mm ± 10.4 mm

7 612819 053899



R27056732 / 01.763.6109.3.073



BRACELET 07.05069

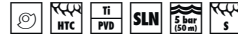


12 diamonds, 0.120 carat
Ø 40.0 mm ± 10.4 mm

7 612819 050232



R27056722 / 01.763.6109.3.072



BRACELET 07.05069



4 diamonds, 0.040 carat
Ø 40.0 mm ± 10.4 mm

7 612819 050201



R27056712 / 01.763.6109.3.071



BRACELET 07.05069

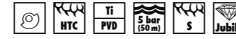


4 diamonds, 0.040 carat
Ø 40.0 mm ± 10.4 mm

7 612819 057507



R27056842 / 01.763.6109.3.084



BRACELET 07.05069



2 diamonds, 0.006 carat
4 diamonds, 0.040 carat
8 diamonds, 0.006 carat
Ø 40.0 mm ± 10.4 mm

7 612819 050188



R27056152 / 01.763.6109.3.015



BRACELET 07.05069



Ø 40.0 mm ± 10.4 mm

7 612819 050195



R27056162 / 01.763.6109.3.016



BRACELET 07.05069



Ø 40.0 mm ± 10.4 mm

7 612819 054186



R27057732 / 01.763.6110.3.073



BRACELET 07.05070



12 diamonds, 0.120 carat
∅ 40.0 mm ± 10.4 mm

7 612819 057118



R27057712 / 01.763.6110.3.071



BRACELET 07.05070



4 diamonds, 0.040 carat
∅ 40.0 mm ± 10.4 mm

7 612819 062327



R27110872 / 01.763.6110.3.087



BRACELET 07.05070



4 diamonds, 0.040 carat
∅ 40.0 mm ± 10.4 mm

7 612819 050225



R27057102 / 01.763.6110.3.010



BRACELET 07.05070

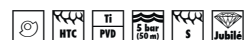


∅ 40.0 mm ± 10.4 mm

7 612819 056586



R27242852 / 01.561.0242.3.085



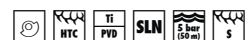
BRACELET 07.04790
HTC Ti

10 diamonds, 0.080 carat
60 diamonds, 0.126 carat
∅ 30.0 mm ± 9.8 mm

7 612819 053882



R27242732 / 01.561.0242.3.073



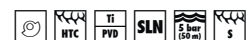
BRACELET 07.04790
HTC Ti

12 diamonds, 0.096 carat
∅ 30.0 mm ± 9.8 mm

7 612819 055831



R27242722 / 01.561.0242.3.072



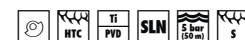
BRACELET 07.04790
HTC Ti

4 diamonds, 0.032 carat
∅ 30.0 mm ± 9.8 mm

7 612819 051468



R27242712 / 01.561.0242.3.071



BRACELET 07.04790
HTC Ti

4 diamonds, 0.032 carat
∅ 30.0 mm ± 9.8 mm

7 612819 057088



R27242842 / 01.561.0242.3.084



BRACELET 07.04790
HTC Ti

2 diamonds, 0.006 carat
4 diamonds, 0.032 carat
8 diamonds, 0.006 carat
∅ 30.0 mm ± 9.8 mm

7 612819 062907



R27242742 / 01.561.0242.3.074



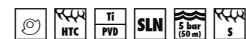
BRACELET 07.04790
HTC Ti

4 diamonds, 0.032 carat
Launch January 2022
∅ 30.0 mm ± 9.8 mm

7 612819 051444



R27242162 / 01.561.0242.3.016



BRACELET 07.04790
HTC Ti

∅ 30.0 mm ± 9.8 mm

7 612819 056593



R27243852 / 01.561.0243.3.085



MOP

BRACELET 07.04791



60 diamonds, 0.126 carat
∅ 30.0 mm ± 9.8 mm

7 612819 054155



R27243732 / 01.561.0243.3.073



Jubilee

BRACELET 07.04791



12 diamonds, 0.096 carat
∅ 30.0 mm ± 9.8 mm

7 612819 057248



R27243712 / 01.561.0243.3.071



MOP

BRACELET 07.04791



4 diamonds, 0.032 carat
∅ 30.0 mm ± 9.8 mm

7 612819 062310



R27243872 / 01.561.0243.3.087



MOP

BRACELET 07.04791



4 diamonds, 0.032 carat
∅ 30.0 mm ± 9.8 mm

7 612819 062891



R27243742 / 01.561.0243.3.074



BRACELET 07.04791



4 diamonds, 0.032 carat
Launch January 2022
∅ 30.0 mm ± 9.8 mm

7 612819 051482



R27238712 / 01.073.0238.3.071



BRACELET 07.04786



4 diamonds, 0.040 carat
∅ 40.0 mm ± 8.9 mm

7 612819 051512



R27238722 / 01.073.0238.3.072



BRACELET 07.04786

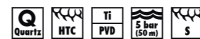


4 diamonds, 0.040 carat
∅ 40.0 mm ± 8.9 mm

7 612819 051499



R27238162 / 01.073.0238.3.016



BRACELET 07.04786



∅ 40.0 mm ± 8.9 mm

7 612819 057231



R27239712 / 01.115.0239.3.071



BRACELET 07.04787



4 diamonds, 0.040 carat
∅ 40.0 mm ± 8.9 mm

7 612819 050317



R27059712 / 01.079.0059.3.071



BRACELET 07.04790



4 diamonds, 0.032 carat
∅ 30.0 mm ± 8.0 mm

7 612819 050300



R27059162 / 01.079.0059.3.016



BRACELET 07.04790



∅ 30.0 mm ± 8.0 mm

7 612819 056999



R27060732 / 01.111.0060.3.073



BRACELET 07.04791



12 diamonds, 0.096 carat
∅ 30.0 mm ± 8.0 mm

7 612819 057101



R27060712 / 01.111.0060.3.071



BRACELET 07.04791



4 diamonds, 0.032 carat
∅ 30.0 mm ± 8.0 mm

7 612819 050263



R27061712 / 01.111.0061.3.071



BRACELET 07.04789



4 diamonds, 0.032 carat
∅ 30.0 mm ÷ 8.0 mm

7 612819 050256



R27061012 / 01.111.0061.3.001



BRACELET 07.04789



∅ 30.0 mm ÷ 8.0 mm

7 612819 050270



R27061902 / 01.111.0061.3.090

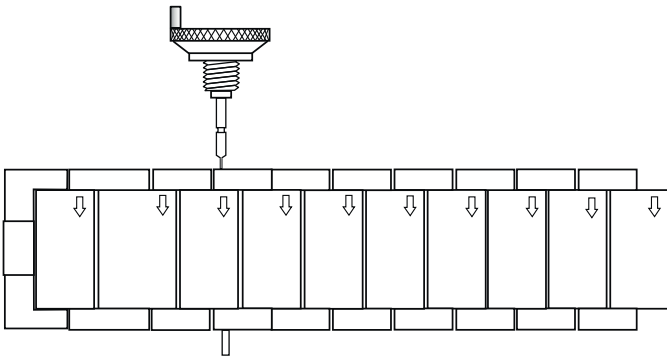


BRACELET 07.04789

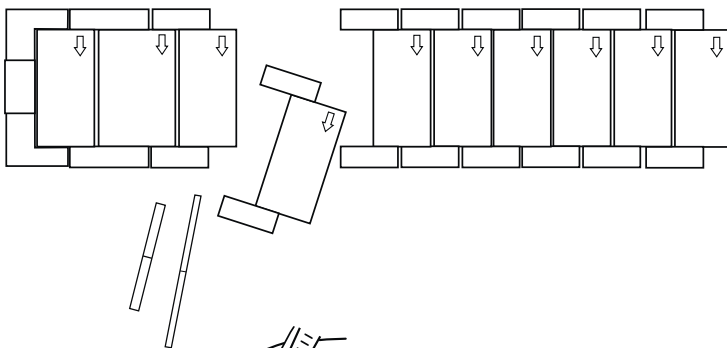


12 diamonds, 0.096 carat
∅ 30.0 mm ÷ 8.0 mm

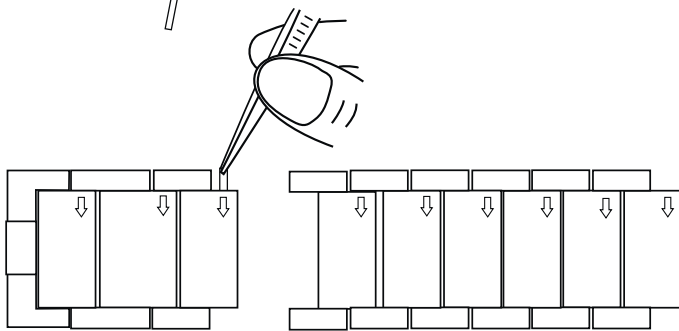
04786
 04787
 04788
 04789
 04790
 04791
 04963
 05069
 05070



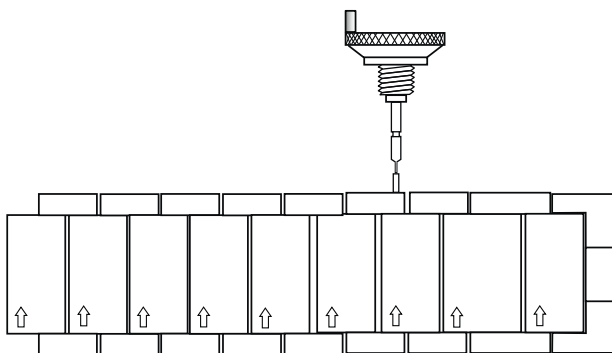
Press out the pin with the device 89.8250.00
 in arrow direction.



Separate bracelet and shorten it as desired.



Insert the tube into the bracelet link
 in arrow direction.



Put the bracelet together and turn it 180°.
 Insert the pin against the arrow direction and
 press in the pin with the device 89.8250.00.



RADO TRUE THINLINE

The thinnest Rado high-tech ceramic watch

This is an elegant high-tech masterpiece – one that also resists blemishes to withstand the test of time. Ultra-thin, amazingly light and scratch-resistant, these could be the most comfortable watches in the world.

Extraordinary.

RADO

True Thinline

RADO
TRUE THINLINE



True Thinline

R27006912



Case : High-tech ceramic



Case back : Titanium



Crown : PVD coated stainless steel



Glass : Sapphire crystal with anti-reflective coating on both faces



Bracelet : High-tech ceramic



Clasp : Titanium 3-fold

7 612819 060439



R27112312 / 01.766.6112.3.031



BRACELET 07.05048



Limited Edition of 2020 pieces
Matt ceramic
∅ 40.0 mm × 9.0 mm

The True Thinline Anima is our interpretation of modern timekeeping. Limited to 2,020 pieces, the special edition made from olive green high-tech ceramic is lightweight and scratch-resistant. Transparent and complex. Ultra-thin and mechanical. The True Thinline Anima gives the zeitgeist a new face. And a soul.



7 612819 058856



R27090602 / 01.420.6090.3.060



BRACELET 07.05060



Limited Edition of 999 pieces
Matt ceramic
Digital printed Le Corbusier colour stripes, polychromie architecturale and limited edition one out of 999 on sapphire crystal case back
∅ 39.0 mm ± 5.0 mm



7 612819 058900



R27097672 / 01.420.6097.3.067



BRACELET 07.05067



Limited Edition of 999 pieces
Matt ceramic
Digital printed Le Corbusier colour stripes, polychromie architecturale and limited edition one out of 999 on sapphire crystal case back
∅ 39.0 mm ± 5.0 mm



7 612819 058917



R27096662 / 01.420.6096.3.066



BRACELET 07.05066



Limited Edition of 999 pieces
Matt ceramic
Digital printed Le Corbusier colour stripes, polychromie architecturale and limited edition one out of 999 on sapphire crystal case back
∅ 39.0 mm ± 5.0 mm



7 612819 058962



R27098682 / 01.420.6098.3.068



BRACELET 07.05068



Limited Edition of 999 pieces
Matt ceramic
Digital printed Le Corbusier colour stripes, polychromie architecturale and limited edition one out of 999 on sapphire crystal case back
∅ 39.0 mm ± 5.0 mm



7 612819 058863



R27091612 / 01.420.6091.3.061



BRACELET 07.05061



Limited Edition of 999 pieces
Matt ceramic
Digital printed Le Corbusier colour stripes, polychromie architecturale and limited edition one out of 999 on sapphire crystal case back
∅ 39.0 mm ± 5.0 mm



7 612819 058887



R27093632 / 01.420.6093.3.063



BRACELET 07.05063



Limited Edition of 999 pieces
Matt ceramic
Digital printed Le Corbusier colour stripes, polychromie architecturale and limited edition one out of 999 on sapphire crystal case back
∅ 39.0 mm ÷ 5.0 mm



7 612819 058924



R27095652 / 01.420.6095.3.065



BRACELET 07.05065



Limited Edition of 999 pieces
Matt ceramic
Digital printed Le Corbusier colour stripes, polychromie architecturale and limited edition one out of 999 on sapphire crystal case back
∅ 39.0 mm ÷ 5.0 mm



7 612819 058870



R27092622 / 01.420.6092.3.062



BRACELET 07.05062



Limited Edition of 999 pieces
Matt ceramic
Digital printed Le Corbusier colour stripes, polychromie architecturale and limited edition one out of 999 on sapphire crystal case back
∅ 39.0 mm ÷ 5.0 mm



“Les Couleurs™ Le Corbusier” Watch Box - 08.460



“Les Couleurs™ Le Corbusier Collectors” Watch Box - 08.461



7 612819 063157



R27120402 / 01.420.6120.3.040



BRACELET 07.05071



Chapter 4
Flower faceted crystal
Digital printed Great Gardens of the World logo on sapphire crystal case back
∅ 39.0 mm ± 6.5 mm



7 612819 063171



R27122252 / 01.420.6122.3.025



BRACELET 07.05033



Chapter 5
Sun faceted crystal
Digital printed Great Gardens of the World logo on sapphire crystal case back
∅ 39.0 mm ± 6.3 mm



7 612819 063164



R27121302 / 01.420.6121.3.030



BRACELET 07.05072



Chapter 6
Leaf faceted crystal
Digital printed Great Gardens of the World logo on sapphire crystal case back
∅ 39.0 mm ± 5.7 mm



7 612819 063140



R27007032 / 01.420.0007.3.003



BRACELET 07.04956



Chapter 7
Snowflake faceted crystal
Digital printed Great Gardens of the World logo on sapphire crystal case back
∅ 39.0 mm ± 6.2 mm



"Great Gardens of the World"
Watch Box - 08.466



"Great Gardens of the World Collectors"
Watch Box - 08.467

7 612819 056746



R27005902 / 01.420.0005.3.090



∅ 39.0 mm ± 5.0 mm

7 612819 056753



R27006912 / 01.420.0006.3.091

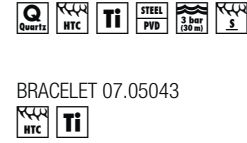


∅ 39.0 mm ± 5.0 mm

7 612819 056739



R27004302 / 01.420.0004.3.030

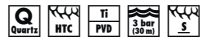


∅ 39.0 mm ± 5.0 mm

7 612819 057705



R27012105 / 01.420.0012.3.010



COMPLETE STRAP 07.09101



CLASP ONLY 72.0077
LEATHER PARTS ONLY 77.09101

Limited Edition of 1001 pieces
Designed by Bethan Gray
Matt ceramic
∅ 39.0 mm ± 5.0 mm

The award-winning British designer Bethan Gray has taken inspiration from her furniture and textile designs, the limited edition True Thinline Studs Limited Edition features a shimmering grey marquetry pattern dial and a matt-black high-tech ceramic monobloc case with gold coloured elements on the dial ring and crown.

7 612819 058238



R27014152 / 01.420.0014.3.015



BRACELET 07.05044



Limited Edition of 1001 pieces
Designed by Evgenia Miro
Laser engraved feather pattern on case and bracelet
Digital printed bird on sapphire crystal case back
∅ 39.0 mm ± 5.0 mm

The True Thinline My Bird in opulent blue high-tech ceramic is designed by award-winning Russian artist and designer Evgenia Miro. With a precision laser engraving of a delicate feather pattern on the bracelet and the image placed diagonally across the dial, this True Thinline reflects Evgenia's unique philosophy of time.

7 612819 061245



R27015012 / 01.420.0015.3.001



BRACELET 07.05082



Special Edition
Digital printed STILLNESS, Lidewij Edelkoort, SINCE
2020 on sapphire crystal case back
∅ 39.0 mm × 5.0 mm



Time is the greatest luxury in modern life. Yet it is not the only coveted commodity in the fast-paced, colourful, noisy everyday life of the 21st century. Renowned trend researcher Li Edelkoort recognises a growing need for stillness and clarity, for authenticity and meaning in modern society. Together with Rado, she has now created a watch that reflects this zeitgeist. The Rado True Thinline Stillness invites you to intentionally take your time. In every single moment and for a lifetime.

7 612819 057309



R27009152 / 01.420.0009.3.015



BRACELET 07.04954



∅ 39.0 mm ± 5.0 mm

7 612819 057293



R27010102 / 01.420.0010.3.010



BRACELET 07.04957



∅ 39.0 mm ± 5.0 mm

7 612819 057316



R27007092 / 01.420.0007.3.009



BRACELET 07.04956



∅ 39.0 mm ± 5.0 mm

7 612819 052670



R27741182 / 01.420.0009.3.018



BRACELET 07.04954



∅ 39.0 mm ± 5.0 mm

7 612819 052663



R27955122 / 01.140.0955.3.012



BRACELET 07.04957



∅ 39.0 mm ± 5.0 mm

7 612819 062068



R27957909 / 01.140.0957.3.190



BRACELET 07.04956



4 diamonds, 0.028 carat
∅ 39.0 mm ± 5.0 mm



7 612819 053905



R27742722 / 01.420.0742.3.072



BRACELET 07.04952



12 diamonds, 0.067 carat
∅ 30.0 mm ± 4.9 mm



7 612819 053912



R27956722 / 01.420.0956.3.072



BRACELET 07.04958



12 diamonds, 0.067 carat
∅ 30.0 mm ± 4.9 mm



7 612819 053929



R27958722 / 01.420.0958.3.072



BRACELET 07.04953



12 diamonds, 0.067 carat
∅ 30.0 mm ± 4.9 mm



7 612819 062051



R27958909 / 01.420.0958.3.190



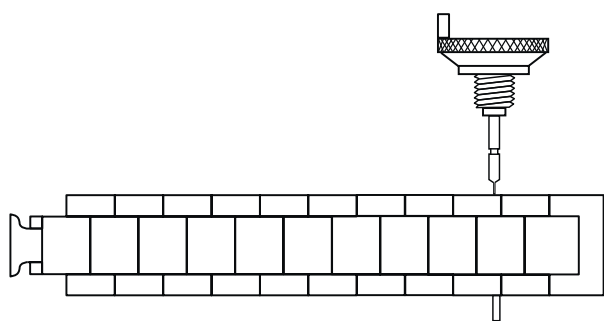
BRACELET 07.04690



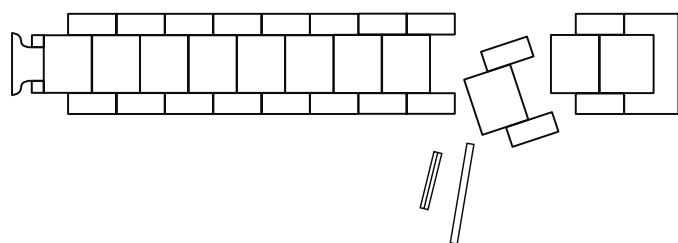
4 diamonds, 0.022 carat
∅ 30.0 mm ± 4.9 mm

REFERENCES

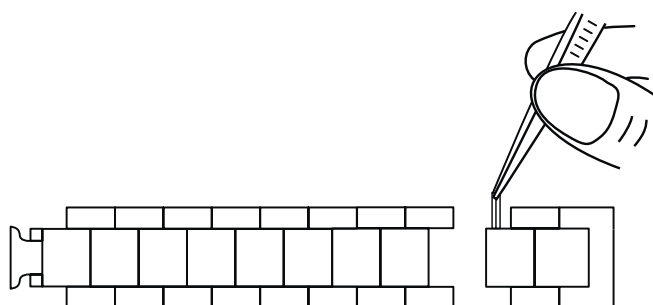
- 04690
- 04952
- 04953
- 04954
- 04956
- 04957
- 04958
- 05024
- 05033
- 05041
- 05043
- 05044
- 05048
- 05060
- 05061
- 05062
- 05063
- 05065
- 05066
- 05067
- 05068
- 05071
- 05072
- 05082



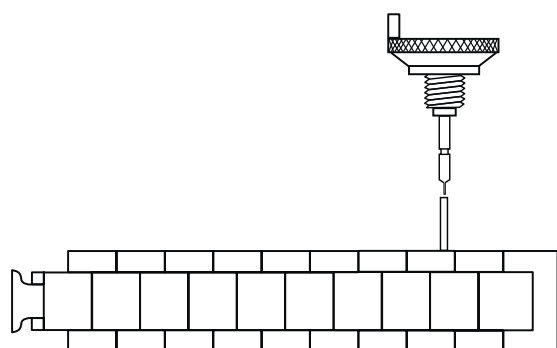
Press out the pin with the device 89.8250.00 in any direction.



Take out the tube from the centre link and shorten the bracelet as desired.



Insert the tube into the centre link and fit the bracelet together.



Press in the pin with the device 89.8250.00 in any direction.



DIASTAR ORIGINAL

Contemporary reinterpretations.

Each of these watches tells its own story. Like the original, for example, which transfers the ageless charm of our revolutionary scratch-resistant DiaStar from 1962 into the present day. It is in good company. All of the models in this collection underscore Rado's great design expertise, which has always given our time a distinctive face. Legendary.

RADO

DiaStar Original



Original

R12160213



Case: Ceramos™



Case back: Stainless steel



Crown: Stainless steel



Glass: Facetted sapphire crystal with anti-reflective coating on one side



Bracelet: Stainless steel



Clasp: Stainless steel

Original

R12413493



Case: CVD coated hardmetal



Case back: Stainless steel



Crown: PVD coated stainless steel



Glass: Facetted sapphire crystal

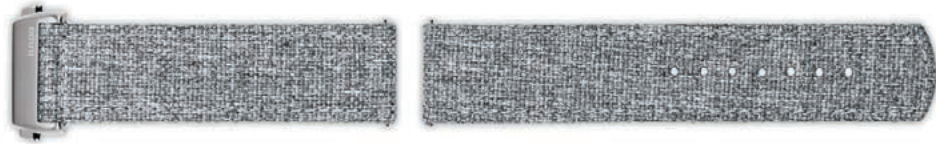


Bracelet: PVD coated stainless steel



Clasp: Titanium 3-fold with PVD coated stainless steel cover

7 612819 062990



R12163118 / 01.764.6163.3.511



BRACELET 07.03828



Special engraving on case back:
DIASTAR ORIGINAL
60-YEAR ANNIVERSARY EDITION
DESIGN ALFREDO HÄBERLI
 Additional grey leather style pouch
 Facetted crystal
 Ø 38.0 mm ± 12.3 mm

7 612819 062952



R12160103 / 01.764.6160.3.010



BRACELET 07.02932



Facetted crystal
 Ø 38.0 mm ± 12.1 mm

7 612819 063485



R12160213 / 01.764.6160.3.021



BRACELET 07.02932



Facetted crystal
 Ø 38.0 mm ± 12.1 mm

7 612819 063980



R12160303 / 01.764.6160.3.030



BRACELET 07.02932



Facetted crystal
 Ø 38.0 mm ± 12.1 mm

7 612819 056432



R12995203 / 01.764.0995.3.020



BRACELET 07.02905



Limited Edition of 1962 pieces
faceted crystal
Ø 38.5 mm ± 12.6 mm

7 612819 058610



R12999253 / 01.764.0999.3.025



BRACELET 07.02908



faceted crystal
Ø 38.5 mm ± 12.6 mm

7 612819 056449



R12999153 / 01.764.0999.3.015



BRACELET 07.02908



faceted crystal
Ø 38.5 mm ± 12.6 mm

7 612819 058627



R12998153 / 01.764.0998.3.015



BRACELET 07.02984



faceted crystal
Ø 38.5 mm ± 12.6 mm

7 612819 033969



R12637163 / 01.763.0637.3.016



BRACELET 07.02905

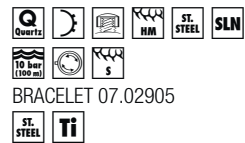


faceted crystal
Ø 38.5 mm ± 12.3 mm

7 612819 030609



R12638163 / 01.370.0638.3.016



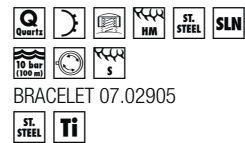
BRACELET 07.02905

∅ 38.5 mm ± 11.1 mm

7 612819 033976



R12638173 / 01.370.0638.3.017



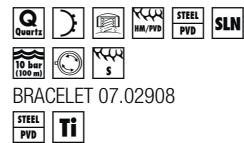
BRACELET 07.02905

∅ 38.5 mm ± 11.1 mm

7 612819 042251



R12949153 / 01.370.0949.3.015



BRACELET 07.02908

∅ 38.5 mm ± 11.1 mm

7 612819 061023



R12063013 / 01.734.6063.3.001



BRACELET 07.01580

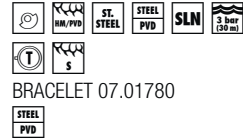


Facetted crystal
Ø 35.0 mm ± 11.9 mm

7 612819 061030



R12064253 / 01.734.6064.3.025



BRACELET 07.01780

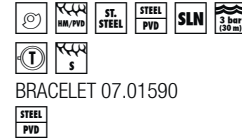


Facetted crystal
Ø 35.0 mm ± 11.9 mm

7 612819 061047



R12065403 / 01.734.6065.3.040



BRACELET 07.01590



Facetted crystal
Ø 35.0 mm ± 11.9 mm

7 612819 023588



R12408613 / 01.764.0408.3.061



BRACELET 07.01580



Facetted crystal
Ø 35.0 mm ± 11.9 mm

7 612819 023632



R12408633 / 01.764.0408.3.063



BRACELET 07.01993



Facetted crystal
Ø 35.0 mm ± 11.9 mm

7 612819 023106



R12413033 / 01.764.0413.3.003



BRACELET 07.01780

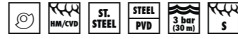


Facetted crystal
Ø 35.0 mm ± 11.9 mm

7 612819 023144



R12413073 / 01.764.0413.3.007



BRACELET 07.01780



Facetted crystal
Ø 35.0 mm ± 11.9 mm

7 612819 023229



R12413193 / 01.764.0413.3.019



BRACELET 07.01780



Facetted crystal
Ø 35.0 mm ± 11.9 mm

7 612819 023250



R12413243 / 01.764.0413.3.024



BRACELET 07.01780



Facetted crystal
Ø 35.0 mm ± 11.9 mm

7 612819 023281



R12413314 / 01.764.0413.3.131



BRACELET 07.02982



Facetted crystal
Ø 35.0 mm ± 11.9 mm

7 612819 023274



R12413313 / 01.764.0413.3.031



BRACELET 07.01780



Facetted crystal
Ø 35.0 mm ± 11.9 mm



R12413613 / 01.764.0413.3.061

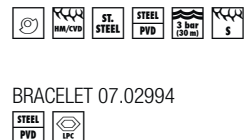


BRACELET 07.01780

Facetted crystal
Ø 35.0 mm ± 11.9 mm



R12413584 / 01.764.0413.3.158



BRACELET 07.02994

Facetted crystal
Ø 35.0 mm ± 11.9 mm



R12413323 / 01.764.0413.3.032



BRACELET 07.01780

Facetted crystal
Ø 35.0 mm ± 11.9 mm



R12413343 / 01.764.0413.3.034



BRACELET 07.01780

Facetted crystal
Ø 35.0 mm ± 11.9 mm



R12413703 / 01.764.0413.3.070



BRACELET 07.02982

15 diamonds, 0.137 carat
Facetted crystal
Ø 35.0 mm ± 11.9 mm



R12413493 / 01.764.0413.3.049



BRACELET 07.01780

Facetted crystal
Ø 35.0 mm ± 11.9 mm



R12413803 / 01.764.0413.3.080



BRACELET 07.01780

Facetted crystal
Ø 35.0 mm ± 11.9 mm

7 612819 058412



R12413503 / 01.764.0413.3.050



BRACELET 07.01780



Facetted crystal
∅ 35.0 mm ± 11.9 mm

7 612819 058436



R12413523 / 01.764.0413.3.052



BRACELET 07.01780



Facetted crystal
∅ 35.0 mm ± 11.9 mm

7 612819 058443



R12413533 / 01.764.0413.3.053



BRACELET 07.01780



Facetted crystal
∅ 35.0 mm ± 11.9 mm

7 612819 058429



R12413573 / 01.764.0413.3.057



BRACELET 07.01780



Facetted crystal
∅ 35.0 mm ± 11.9 mm

7 612819 023786



R12403633 / 01.557.0403.3.063



BRACELET 07.01900



Facetted crystal
Ø 27.3 mm ± 10.7 mm

7 612819 023380



R12416073 / 01.557.0416.3.007



BRACELET 07.01754



Facetted crystal
Ø 27.3 mm ± 10.7 mm

7 612819 023519



R12416193 / 01.557.0416.3.019



BRACELET 07.01754



Facetted crystal
Ø 27.3 mm ± 10.7 mm

7 612819 055602



R12416673 / 01.557.0416.3.067



BRACELET 07.01754



Facetted crystal
Ø 27.3 mm ± 10.7 mm

7 612819 023625



R12416393 / 01.557.0416.3.039



BRACELET 07.01754



Facetted crystal
Ø 27.3 mm ± 10.7 mm



7 612819 023724



R12416613 / 01.557.0416.3.061



BRACELET 07.01754



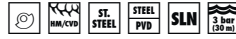
Facetted crystal
Ø 27.3 mm ± 10.7 mm



7 612819 023694



R12416514 / 01.557.0416.3.151



BRACELET 07.02715



Facetted crystal
Ø 27.3 mm ± 10.7 mm



7 612819 023748



R12416633 / 01.557.0416.3.063



BRACELET 07.01754



Facetted crystal
Ø 27.3 mm ± 10.7 mm



7 612819 023762



R12416803 / 01.557.0416.3.080



BRACELET 07.01754



Facetted crystal
Ø 27.3 mm ± 10.7 mm



7 612819 058481



R12416533 / 01.557.0416.3.053



BRACELET 07.01754



Facetted crystal
Ø 27.3 mm ± 10.7 mm



7 612819 058467



R12416573 / 01.557.0416.3.057



BRACELET 07.01754



Facetted crystal
Ø 27.3 mm ± 10.7 mm

7 612819 049694



R12305304 / 01.114.0305.3.130



BRACELET 07.01993



Facetted crystal
∅ 35.1 mm ± 10.1 mm

7 612819 049717



R12304303 / 01.114.0304.3.030



BRACELET 07.01780



Facetted crystal
∅ 35.1 mm ± 10.1 mm

7 612819 049731



R12304313 / 01.114.0304.3.031



BRACELET 07.01780



Facetted crystal
∅ 35.1 mm ± 10.1 mm

7 612819 000282



R12391103 / 01.114.0391.3.010



BRACELET 07.01580



∅ 35.1 mm ± 8.4 mm

7 612819 000299



R12391153 / 01.114.0391.3.015



BRACELET 07.01580



∅ 35.1 mm ± 8.4 mm

7 612819 000343



R12393633 / 01.114.0393.3.063



BRACELET 07.01780



∅ 35.1 mm ± 8.4 mm

7 612819 000305



R12391633 / 01.114.0391.3.063



BRACELET 07.01993



∅ 35.1 mm ± 8.4 mm

7 612819 049700



R12307304 / 01.079.0307.3.130



BRACELET 07.01900



Facetted crystal
∅ 27.3 mm ± 9.1 mm

7 612819 049724



R12306303 / 01.079.0306.3.030



BRACELET 07.01754



Facetted crystal
∅ 27.3 mm ± 9.1 mm

7 612819 049748



R12306313 / 01.079.0306.3.031



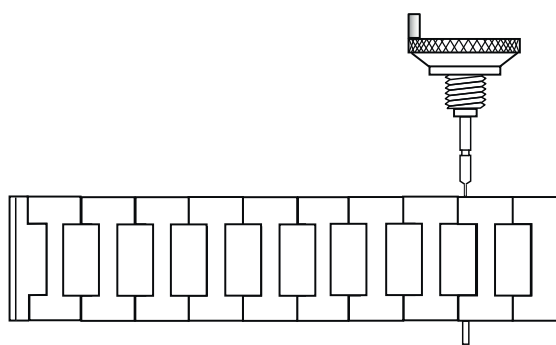
BRACELET 07.01754



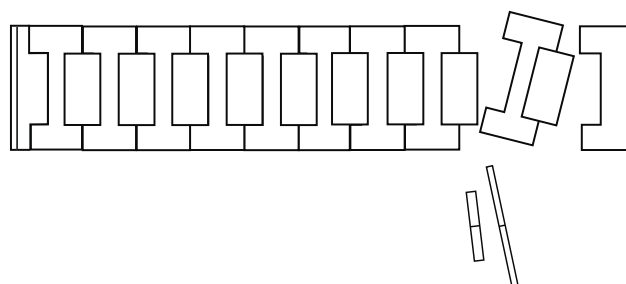
Facetted crystal
∅ 27.3 mm ± 9.1 mm

REFERENCES

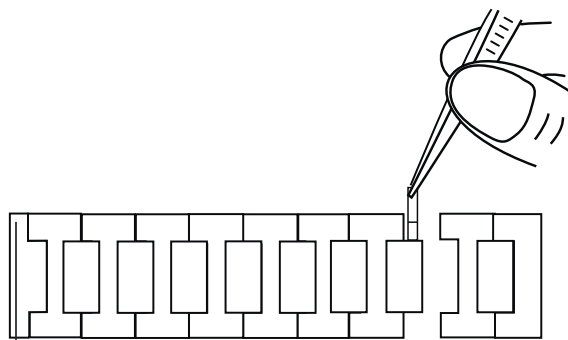
02932
02982



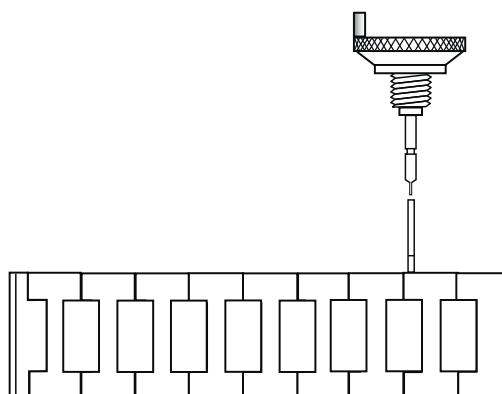
Press out the pin with the device 89.8250.00 in any direction.



Separate bracelet and shorten it as desired.



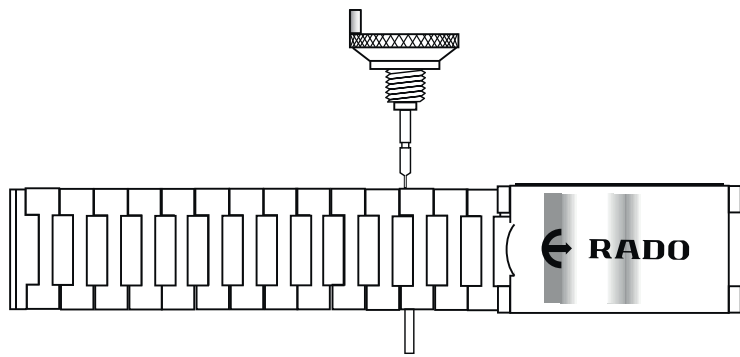
Insert the tube into the bracelet link and put the bracelet together.



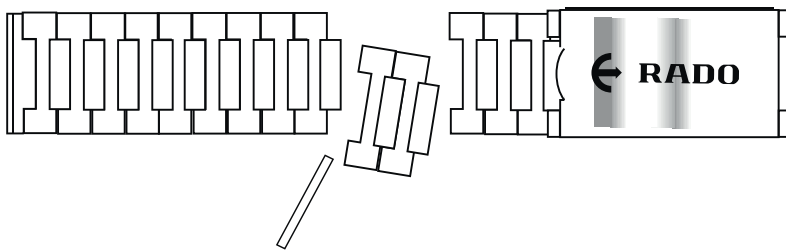
Press in the pin with the device 89.8250.00 in any direction.

REFERENCES

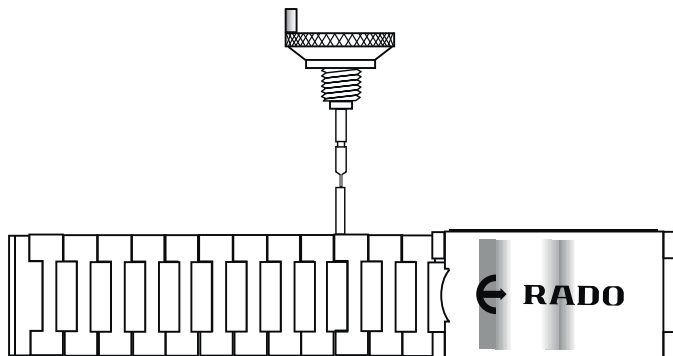
- 01580
- 01590
- 01754
- 01780
- 01900
- 01993
- 02715
- 02994



Press out the pin with the device 89.8250.00 in any direction.



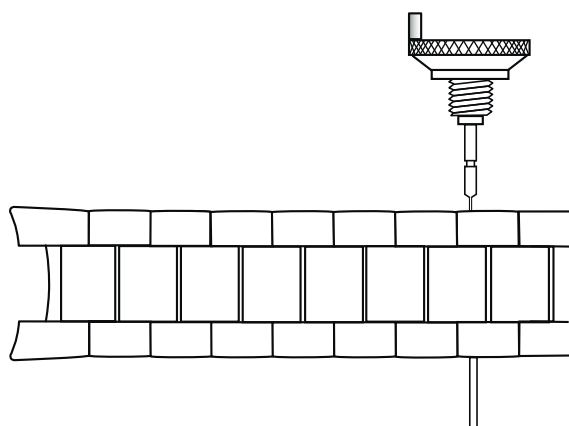
Shorten the bracelet as desired.



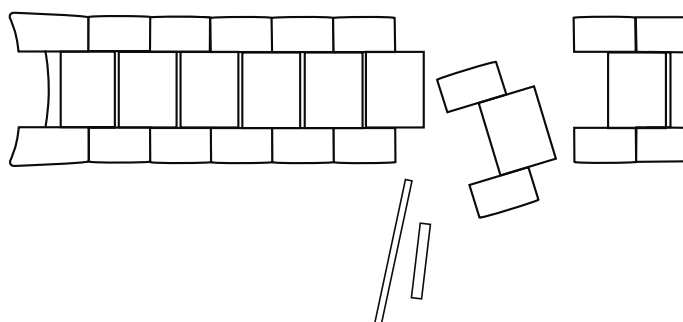
Put the bracelet together and press in the pin with the device 89.8250.00.

REFERENCES

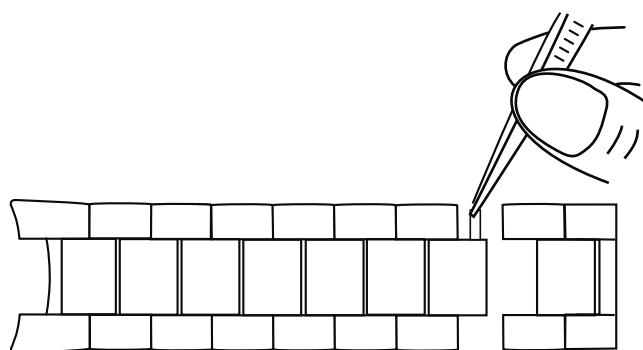
02905
02908
02984



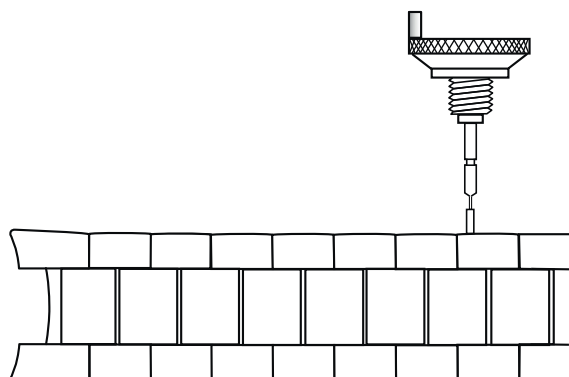
Press out the pin with the device 89.8250.00 in any direction.



Separate bracelet and shorten it as desired.



Insert the tube into the bracelet link and put the bracelet together.



Press in the pin with the device 89.8250.00 in any direction.



RADO DIAMASTER

The new face of a Rado legend

Subtle, minimalistic and chic are the key words when it comes to the design of this simple, pared-down ceramic collection. The new face of Rado has a new face of its own: large open dials for easy readability and an unobscured view. Appealing.

RADO DiaMaster



DiaMaster Diamonds

R14056935



Diamonds



Case : Plasma high-tech ceramic



Case back : Titanium with sapphire crystal



Crown : Plasma high-tech ceramic



Glass : Curved sapphire crystal with anti-reflective coating on both faces



Strap : Leather



Clasp : Stainless steel

7 612819 061597



R14053716 / 01.773.6053.3.471



COMPLETE STRAP 07.08985



CLASP ONLY 72.0053

LEATHER PARTS ONLY 76.05058

12 diamonds, 0.120 carat
Limited Edition of 1314 pieces
Ø 43.0 mm ÷ 12.3 mm

7 612819 057149



R14053206 / 01.773.6053.3.420



COMPLETE STRAP 07.08985



CLASP ONLY 72.0053

LEATHER PARTS ONLY 76.05058

Ø 43.0 mm ÷ 12.3 mm

7 612819 057156



R14053106 / 01.773.6053.3.410



COMPLETE STRAP 07.08985



CLASP ONLY 72.0053

LEATHER PARTS ONLY 76.05058

Ø 43.0 mm ÷ 12.3 mm

7 612819 055565



R14137156 / 01.772.0137.3.415



COMPLETE STRAP 07.09066



CLASP ONLY 72.0069

LEATHER PARTS ONLY 76.05726

Ø 43.0 mm ÷ 12.3 mm

7 612819 055572



R14138206 / 01.772.0138.3.420



COMPLETE STRAP 07.09067



CLASP ONLY 72.0053

LEATHER PARTS ONLY 76.05727

Ø 43.0 mm ÷ 12.3 mm

7 612819 055589



R14140026 / 01.772.0140.3.402



COMPLETE STRAP 07.09070



CLASP ONLY 72.0070

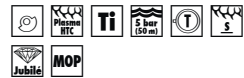
LEATHER PARTS ONLY 76.05728

Ø 43.0 mm ÷ 12.3 mm

7 612819 059563



R14056935 / 01.734.6056.3.493



COMPLETE STRAP 07.09140



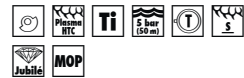
CLASP ONLY 72.0055
LEATHER PARTS ONLY 77.09140

32 diamonds, 0.035 carat
39 diamonds, 0.113 carat
∅ 35.0 mm ± 10.5 mm

7 612819 059464



R14056955 / 01.734.6056.3.495



COMPLETE STRAP 07.09074



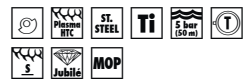
CLASP ONLY 72.0055
LEATHER PARTS ONLY 76.09074

32 diamonds, 0.035 carat
39 diamonds, 0.113 carat
∅ 35.0 mm ± 10.5 mm

7 612819 059259



R14058905 / 01.734.6058.3.490



COMPLETE STRAP 07.09125



CLASP ONLY 72.0055
LEATHER PARTS ONLY 77.09125

2 diamonds, 0.004 carat
3 diamonds, 0.002 carat
60 diamonds, 0.258 carat
Limited Edition of 1001 pieces
Designed by Kwan Kao
Additional black strap
∅ 35.0 mm ± 10.6 mm



7 612819 061603



R14064745 / 01.218.0064.3.474



COMPLETE STRAP 07.09099



CLASP ONLY 72.0055
LEATHER PARTS ONLY 76.09099

9 diamonds, 0.058 carat
24 diamonds, 0.069 carat
Limited Edition of 1314 pieces
∅ 33.0 mm ± 7.8 mm

7 612819 056715



R14064725 / 01.218.0064.3.472



COMPLETE STRAP 07.09099



CLASP ONLY 72.0055
LEATHER PARTS ONLY 76.09099

24 diamonds, 0.069 carat
∅ 33.0 mm ± 7.8 mm

7 612819 056692



R14064945 / 01.218.0064.3.494



MOP

COMPLETE STRAP 07.09073



CLASP ONLY 72.0055
LEATHER PARTS ONLY 76.09073

24 diamonds, 0.069 carat
∅ 33.0 mm ± 7.8 mm

7 612819 056722



R14064735 / 01.218.0064.3.473



COMPLETE STRAP 07.09075



CLASP ONLY 72.0055
LEATHER PARTS ONLY 76.09075

24 diamonds, 0.069 carat
∅ 33.0 mm ± 7.8 mm

7 612819 054933



R14064715 / 01.218.0064.3.471



COMPLETE STRAP 07.09140



CLASP ONLY 72.0055
LEATHER PARTS ONLY 77.09140

49 diamonds, 0.142 carat
∅ 33.0 mm ± 7.8 mm



Watches will still be delivered with standard leather straps. XS/XL leather straps are only available for order as spare parts.



XL STRAPS

References	Complete strap	Color	Clasp only	Color	Leather parts only
01.772.0137.3.415	07.29066	Black	72.0069	Black	76.05865
01.772.0138.3.420	07.29067	Blue	72.0053	Steel	76.05866
01.772.0140.3.402	07.29070	Brown	72.0070	Brown	76.05868
01.734.6056.3.493	07.29140	Beige	72.0055	Steel	77.29140
01.218.0064.3.494	07.29073	Gold brown	72.0055	Steel	76.29073
01.218.0064.3.473	07.29075	Dark grey	72.0055	Steel	76.29075
01.218.0064.3.472	07.29099	Blue	72.0055	Steel	76.29099



XS BÄNDER

References	Complete strap	Color	Clasp only	Color	Leather parts only
01.734.6056.3.493	07.19140	Beige	72.0055	Steel	77.19140
01.218.0064.3.471	07.19140	Beige	72.0055	Steel	77.19140



RADO CENTRIX

Embodying elegance in clarity.

The shape and style of the Rado Centrix make this a watch to desire. The tapered, lightweight, flexible bracelet gently and sensually embraces the wrist, offering exquisite comfort and grace, as well as uncompromising luxury and sophistication. Classic.

RADO Centrix



Centrix Diamonds

R30248902



Diamonds



Case : PVD coated stainless steel



Case back : PVD coated stainless steel with sapphire crystal



Crown : PVD coated stainless steel



Glass : Curved sapphire crystal, edge to edge, metallised



Bracelet : High-tech ceramic with PVD coated stainless steel links



Clasp : Titanium 3-fold with PVD coated stainless steel cover



R30018742 / 01.763.6018.3.074



BRACELET 07.05089



12 diamonds, 0.078 carat
Launch 2023
∅ 39.5 mm ± 11.3 mm



R30018712 / 01.763.6018.3.071



BRACELET 07.05089



4 diamonds, 0.040 carat
Launch 2023
∅ 39.5 mm ± 11.3 mm



R30018152 / 01.763.6018.3.015



BRACELET 07.05089



Launch 2023
∅ 39.5 mm ± 11.3 mm



R30017732 / 01.763.6017.3.073



BRACELET 07.05087



12 diamonds, 0.078 carat
Launch 2023
∅ 39.5 mm ± 11.3 mm



R30017712 / 01.763.6017.3.071



BRACELET 07.05087



4 diamonds, 0.040 carat
Launch 2023
∅ 39.5 mm ± 11.3 mm



R30017302 / 01.763.6017.3.030



BRACELET 07.05087



Launch 2023
∅ 39.5 mm ± 11.3 mm

7 612819 063096



R30017722 / 01.763.6017.3.072



BRACELET 07.05088



4 diamonds, 0.040 carat
Launch 2023

∅ 39.5 mm ± 11.3 mm

7 612819 063072



R30017012 / 01.763.6017.3.001



BRACELET 07.05088



Launch 2023

∅ 39.5 mm ± 11.3 mm

7 612819 063287



R30020742 / 01.582.6020.3.074



BRACELET 07.05003



12 diamonds, 0.038 carat
Launch 2023
∅ 30.5 mm ± 10.3 mm

7 612819 063270



R30020712 / 01.582.6020.3.071



BRACELET 07.05003



4 diamonds, 0.012 carat
Launch 2023
∅ 30.5 mm ± 10.3 mm

7 612819 063355



R30019732 / 01.582.6019.3.073



BRACELET 07.05050



12 diamonds, 0.038 carat
Launch 2023
∅ 30.5 mm ± 10.3 mm

7 612819 063348



R30019712 / 01.582.6019.3.071



BRACELET 07.05050



4 diamonds, 0.012 carat
Launch 2023
∅ 30.5 mm ± 10.3 mm

7 612819 063331



R30019302 / 01.582.6019.3.030



BRACELET 07.05050



Launch 2023
∅ 30.5 mm ± 10.3 mm



R30019742 / 01.582.6019.3.074



BRACELET 07.05049



12 diamonds, 0.038 carat
Launch 2023
∅ 30.5 mm ± 10.3 mm



R30019722 / 01.582.6019.3.072



BRACELET 07.05049



4 diamonds, 0.012 carat
Launch 2023
∅ 30.5 mm ± 10.3 mm



R30019012 / 01.582.6019.3.001



BRACELET 07.05049



Launch 2023
∅ 30.5 mm ± 10.3 mm



R30019744 / 01.582.6019.3.174



BRACELET 07.05051



12 diamonds, 0.038 carat
Launch 2023
∅ 30.5 mm ± 10.3 mm

7 612819 046815



R30130152 / 01.312.0130.3.015



BRACELET 07.04742



∅ 40.0 mm ± 10.5 mm

7 612819 046822



R30134162 / 01.312.0134.3.016



BRACELET 07.04743



∅ 40.0 mm ± 10.5 mm

7 612819 053141



R30187172 / 01.312.0187.3.017



BRACELET 07.05002



∅ 40.0 mm ± 10.5 mm

7 612819 046808



R30122122 / 01.312.0122.3.012



BRACELET 07.04744



∅ 40.0 mm ± 10.5 mm

7 612819 051055



R30178152 / 01.734.0178.3.015



BRACELET 07.04668



∅ 38.0 mm ± 10.1 mm

7 612819 051086



R30180162 / 01.734.0180.3.016



BRACELET 07.04666



∅ 38.0 mm ± 10.1 mm

7 612819 051093



R30181312 / 01.734.0181.3.031



BRACELET 07.05018



∅ 38.0 mm ± 10.1 mm

7 612819 061580



R30181104 / 01.734.0181.3.110



BRACELET 07.05017



∅ 38.0 mm ± 10.1 mm

7 612819 061559



R30179114 / 01.734.0179.3.111



BRACELET 07.04699



∅ 38.0 mm ± 10.1 mm

7 612819 052632



R30248712 / 01.734.0248.3.071



BRACELET 07.04931



7 diamonds, 0.027 carat
5 diamonds, 0.010 carat
∅ 33.0 mm ÷ 10.0 mm

7 612819 052519



R30248902 / 01.734.0248.3.090



BRACELET 07.04928



7 diamonds, 0.027 carat
5 diamonds, 0.010 carat
∅ 33.0 mm ÷ 10.0 mm

7 612819 052526



R30248012 / 01.734.0248.3.001



BRACELET 07.03630



∅ 33.0 mm ÷ 10.0 mm

7 612819 058351



R30941752 / 01.763.0941.3.075



BRACELET 07.04668



12 diamonds, 0.045 carat
∅ 38.0 mm ± 10.1 mm

7 612819 041704



R30941702 / 01.763.0941.3.070



BRACELET 07.04668



8 diamonds, 0.028 carat
∅ 38.0 mm ± 10.1 mm

7 612819 058849



R30941172 / 01.763.0941.3.017



BRACELET 07.04668



∅ 38.0 mm ± 10.1 mm

7 612819 058337



R30079762 / 01.763.0079.3.076



BRACELET 07.04666



12 diamonds, 0.045 carat
∅ 38.0 mm ± 10.1 mm

7 612819 049397



R30035712 / 01.763.0035.3.071



BRACELET 07.04666



8 diamonds, 0.030 carat
∅ 38.0 mm ± 10.1 mm

7 612819 058313



R30036752 / 01.763.0036.3.075



BRACELET 07.05018

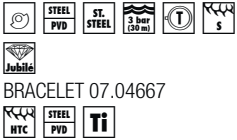


12 diamonds, 0.045 carat
∅ 38.0 mm ± 10.1 mm

7 612819 049380



R30034712 / 01.561.0034.3.071

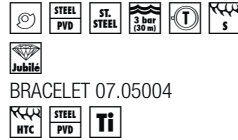


8 diamonds, 0.016 carat
∅ 28.0 mm ± 9.3 mm

7 612819 055053



R30183752 / 01.561.0183.3.075

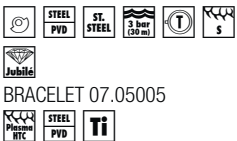


12 diamonds, 0.025 carat
∅ 28 mm ± 9.3 mm

7 612819 058375



R30183762 / 01.561.0183.3.076

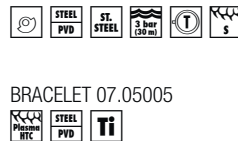


12 diamonds, 0.025 carat
∅ 28.0 mm ± 9.3 mm

7 612819 058979



R30183022 / 01.561.0183.3.002



∅ 28.0 mm ± 9.3 mm

7 612819 051284



R30183742 / 01.561.0183.3.074



12 diamonds, 0.025 carat
∅ 28.0 mm ± 9.3 mm

7 612819 060125



R30934752 / 01.073.0934.3.075



BRACELET 07.04668



12 diamonds, 0.034 carat
∅ 38.0 mm ± 7.3 mm

7 612819 042473



R30934712 / 01.073.0934.3.071



BRACELET 07.04668



4 diamonds, 0.011 carat
∅ 38.0 mm ± 7.3 mm

7 612819 060385



R30934172 / 01.073.0934.3.017



BRACELET 07.04668



∅ 38.0 mm ± 7.3 mm

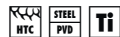
7 612819 061061



R30527762 / 01.073.0527.3.076



BRACELET 07.04666



12 diamonds, 0.034 carat
∅ 38.0 mm ± 6.7 mm

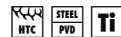
7 612819 041568



R30929712 / 01.073.0929.3.071



BRACELET 07.04666



4 diamonds, 0.011 carat
∅ 38.0 mm ± 7.3 mm

7 612819 060392



R30527172 / 01.073.0527.3.017



BRACELET 07.04666



∅ 38.0 mm ± 7.3 mm

7 612819 046518



R30554712 / 01.073.0554.3.071



BRACELET 07.04778



4 diamonds, 0.011 carat
∅ 38.0 mm ± 7.3 mm

7 612819 061566



R30554724 / 01.073.0554.3.172



BRACELET 07.05018



12 diamonds, 0.034 carat
∅ 38.0 mm ± 7.3 mm

7 612819 060101



R30554762 / 01.073.0554.3.076



BRACELET 07.05017



12 diamonds, 0.034 carat
∅ 38.0 mm ± 7.3 mm

7 612819 061054



R30935752 / 01.079.0935.3.075



BRACELET 07.04669



12 diamonds, 0.025 carat
∅ 28.0 mm ± 6.7 mm

7 612819 042466



R30935712 / 01.079.0935.3.071



BRACELET 07.04669



4 diamonds, 0.009 carat
∅ 28.0 mm ± 6.7 mm

7 612819 060163



R30935172 / 01.079.0935.3.017



BRACELET 07.04669



∅ 28.0 mm ± 6.7 mm

7 612819 060156



R30528762 / 01.079.0528.3.076



BRACELET 07.04667



12 diamonds, 0.025 carat
∅ 28.0 mm ± 6.7 mm

7 612819 041612



R30930712 / 01.079.0930.3.071



BRACELET 07.04667



4 diamonds, 0.009 carat
∅ 28.0 mm ± 6.7 mm

7 612819 060354



R30528172 / 01.079.0528.3.017



BRACELET 07.04667



∅ 28.0 mm ± 6.7 mm

7 612819 046525



R30555712 / 01.079.0555.3.071



BRACELET 07.04779



4 diamonds, 0.009 carat
∅ 28.0 mm ± 6.7 mm

7 612819 061573



R30555724 / 01.079.0555.3.172



BRACELET 07.05004



12 diamonds, 0.025 carat
∅ 28.0 mm ± 6.7 mm

7 612819 060149



R30555762 / 01.079.0555.3.076



BRACELET 07.05005



12 diamonds, 0.025 carat
∅ 28.0 mm ± 6.7 mm

7 612819 055879



R30186912 / 01.963.0186.3.091



MOP

BRACELET 07.04933



12 diamonds, 0.025 carat
∅ 23.0 mm ± 6.1 mm

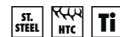
7 612819 056463



R30191712 / 01.963.0191.3.071



BRACELET 07.04961



4 diamonds, 0.008 carat
∅ 23.0 mm ± 6.1 mm

7 612819 056470



R30189712 / 01.963.0189.3.071



BRACELET 07.04962



4 diamonds, 0.008 carat
∅ 23.0 mm ± 6.1 mm

7 612819 057033



R30190702 / 01.963.0190.3.070

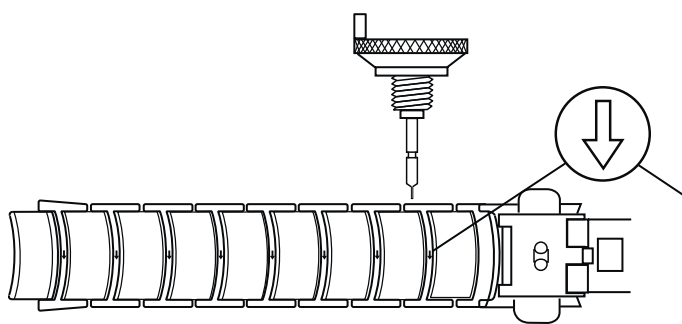


BRACELET 07.04944

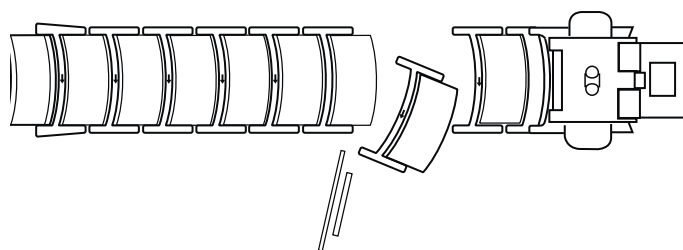


12 diamonds, 0.025 carat
∅ 23.0 mm ± 6.1 mm

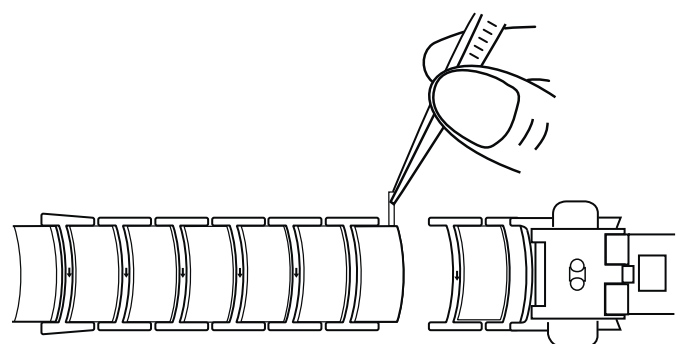
- 03630
- 04666
- 04667
- 04668
- 04669
- 04699
- 04742
- 04743
- 04744
- 04778
- 04779
- 04926
- 04928
- 04931
- 04933
- 04944
- 04961
- 04962
- 05002
- 05003
- 05004
- 05005
- 05017
- 05018
- 05049
- 05050
- 05051
- 05087
- 05088
- 05089



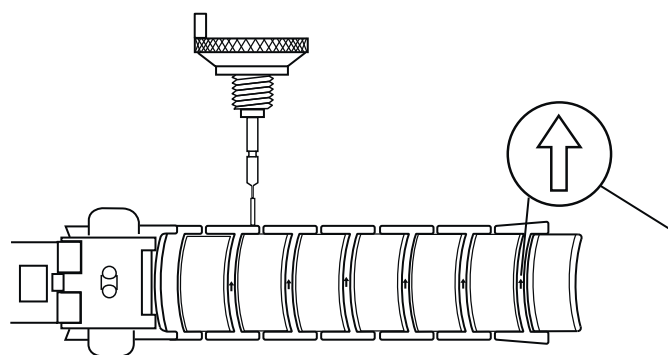
Press out the pin with the device 89.8250.00 in arrow direction.



Separate bracelet and shorten it as desired.



Insert the tube into the bracelet link in arrow direction.



Put the bracelet together and turn it 180°. Insert the pin against the arrow and press in the pin with the device 89.8250.00



RADO INTEGRAL

Famous for introducing high-tech ceramic into watchmaking.

Produced in series in 1986, the Rado Integral was the first Rado watch to use high-tech ceramic. A revolution in the watchmaking industry, it fuses the purity of graphic linearity with the finesse of high technology, seamlessly integrating a metallised sapphire crystal, case and bracelet within parallel lines.

Pioneering.

RADO Integral



Integral

R20206162



Diamonds



Case : High-tech ceramic and stainless steel



Case back : Stainless steel



Crown : Stainless steel



Glass : Cylindrical sapphire crystal, metallised



Bracelet : Stainless steel with high-tech ceramic middle links



Clasp : Titanium 3-fold with stainless steel cover

7 612819 048918



R20206712 / 01.212.0206.3.071



BRACELET 07.05074



4 diamonds, 0.032 carat
31.0 x 41.1 mm ± 7.5 mm

7 612819 058184



R20206162 / 01.212.0206.3.016



BRACELET 07.05074



31.0 x 41.1 mm ± 7.5 mm

7 612819 048901



R20204712 / 01.212.0204.3.071



BRACELET 07.05073



4 diamonds, 0.031 carat
31.0 x 41.1 mm ± 7.5 mm

7 612819 058177



R20204162 / 01.212.0204.3.016



BRACELET 07.05073



31.0 x 41.1 mm ± 7.5 mm

7 612819 048925



R20207712 / 01.212.0227.3.071



BRACELET 07.05077



4 diamonds, 0.031 carat
31.0 x 41.1 mm ± 7.5 mm

7 612819 056234



R20219712 / 01.212.0219.3.071



BRACELET 07.05078



4 diamonds, 0.032 carat
31.0 x 41.1 mm ± 7.5 mm

7 612819 061627



R20140712 / 01.212.6140.3.071



BRACELET 07.05029



4 diamonds, 0.032 carat
∅ 31.0 mm ± 7.5 mm



7 612819 048994



R20613712 / 01.153.0613.3.071



BRACELET 07.05081



4 diamonds, 0.026 carat
22.7 x 33.1 mm ± 6.5 mm



7 612819 058214



R20613162 / 01.153.0613.3.016



BRACELET 07.05081



22.7 x 33.1 mm ± 6.5 mm



7 612819 049007



R20845712 / 01.153.0845.3.071



BRACELET 07.05080



4 diamonds, 0.026 carat
22.7 x 33.1 mm ± 6.5 mm



7 612819 058207



R20845162 / 01.153.0845.3.016



BRACELET 07.05080



22.7 x 33.1 mm ± 6.5 mm



7 612819 048987



R20612712 / 01.153.0194.3.071



BRACELET 07.05079



4 diamonds, 0.026 carat
22.7 x 33.1 mm ± 6.5 mm



7 612819 054506



R20201712 / 01.153.0201.3.071



BRACELET 07.04943



4 diamonds, 0.026 carat
22.7 x 33.1 mm ± 6.5 mm



7 612819 061610



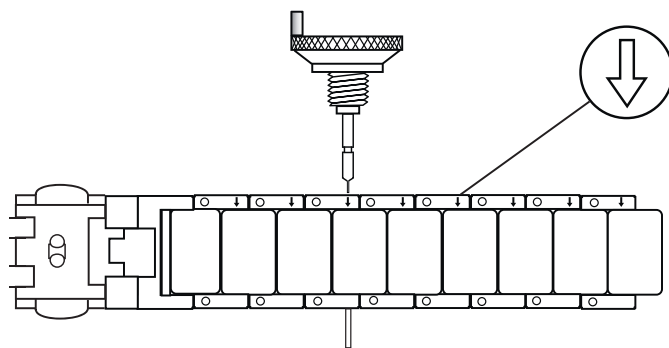
R20141712 / 01.153.6141.3.071



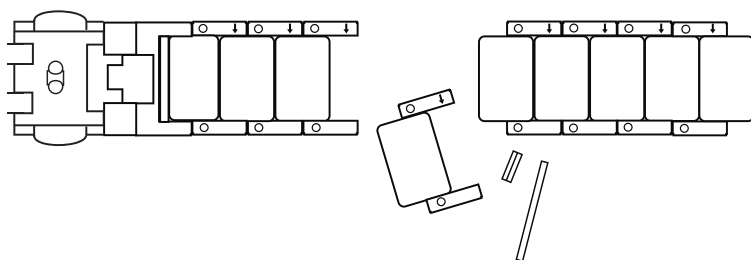
BRACELET 07.05030



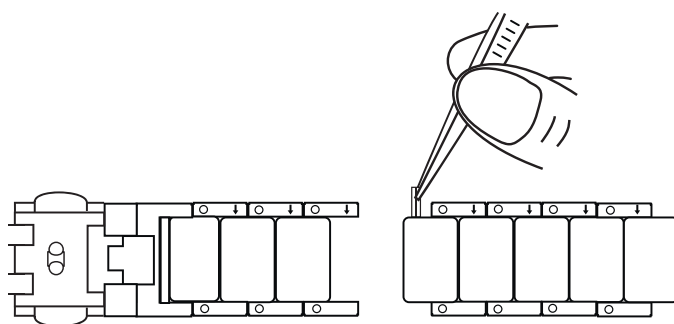
4 diamonds, 0.026 carat
∅ 22.7 mm ± 6.5 mm



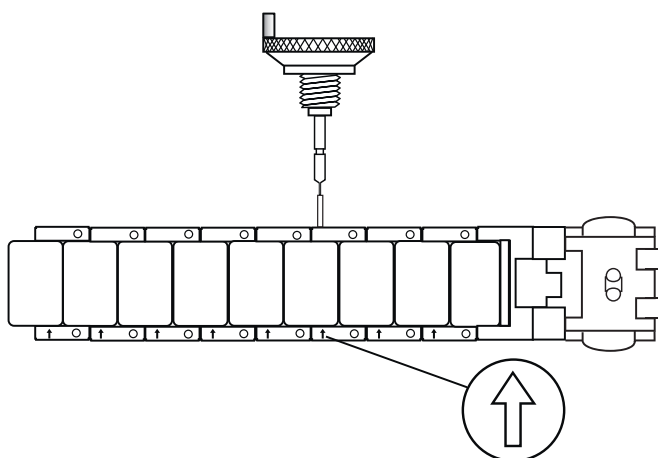
Press out the pin with the device 89.8250.00 in arrow direction.



Separate bracelet and shorten it as desired.

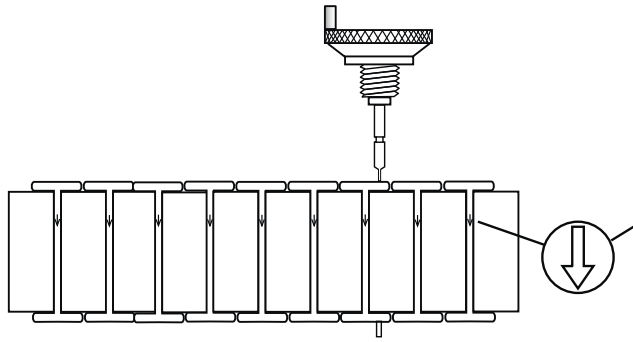


Insert the tube into the bracelet link in arrow direction.

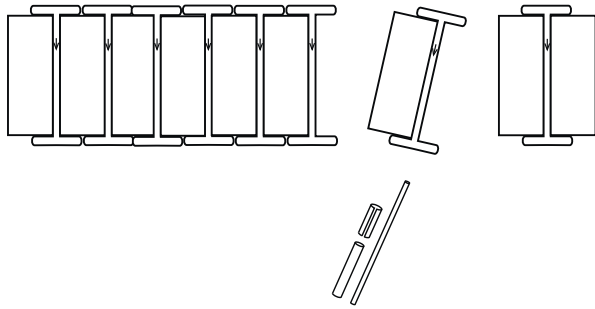


Put the bracelet together and turn it 180°. Insert the pin against the arrow direction and press it in with the device 89.8250.00.

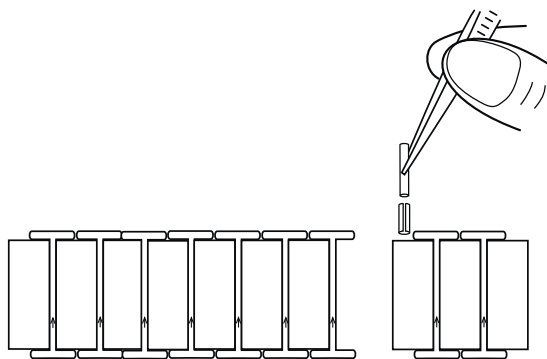
05029
 05030
 05039
 05073
 05074
 05077
 05078
 05080
 05081



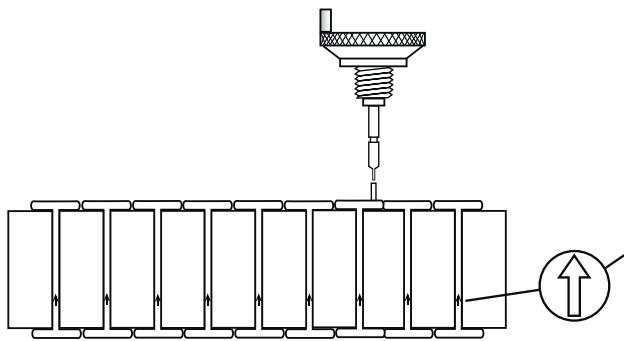
Press out the pin with the device 89.8250.00 in arrow direction.



Separate bracelet and shorten it as desired.



Insert the tube into the bracelet link in arrow direction.



Put the bracelet together and turn it 180°. Insert the pin against the arrow direction and press it in with the device 89.8250.00.



RADO CERAMICA

The iconic high-tech ceramic watch

A design icon much imitated, but never equalled, the Rado Ceramica is as enduring in its design as it is impervious to the ravages of time. It is refined, but remains ready to meet the challenges of everyday life.

Iconic.

RADO Ceramica



Ceramica Diamonds

R21700702



Diamonds



Case : High-tech ceramic



Case back : PVD coated titanium



Crown : High-tech ceramic



Glass : Cylindrical sapphire crystal, metallised



Bracelet : High-tech ceramic



Clasp : Titanium 3-fold

7 612819 053288



R21700702 / 01.212.0700.3.070



BRACELET 07.04945



4 diamonds, 0.026 carat
30.0 x 41.7 mm ± 7.6 mm

7 612819 053561



R21700722 / 01.212.0700.3.072



BRACELET 07.04945



4 diamonds, 0.026 carat
30.0 x 41.7 mm ± 7.6 mm

7 612819 053301



R21700172 / 01.212.0700.3.017



BRACELET 07.04945



30.0 x 41.7 mm ± 7.6 mm

7 612819 053011



R21702702 / 01.420.0702.3.070



BRACELET 07.04948



4 diamonds, 0.011 carat
22.9 x 31.7 mm ± 6.6 mm

7 612819 053592



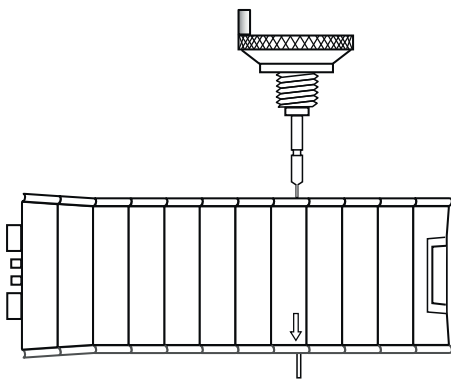
R21702722 / 01.420.0702.3.072



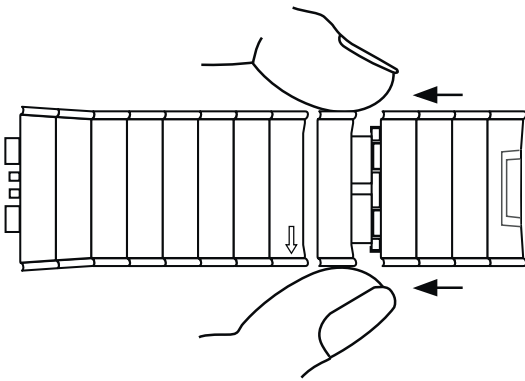
BRACELET 07.04948



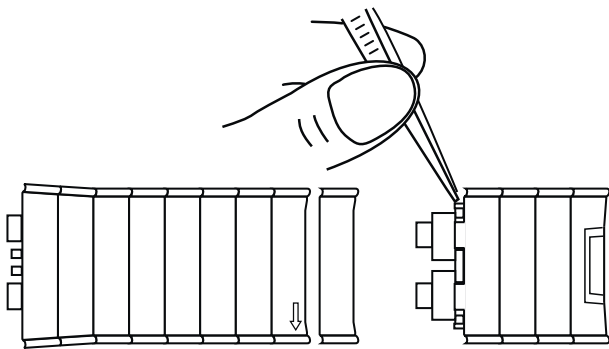
4 diamonds, 0.011 carat
22.9 x 31.7 mm ± 6.6 mm



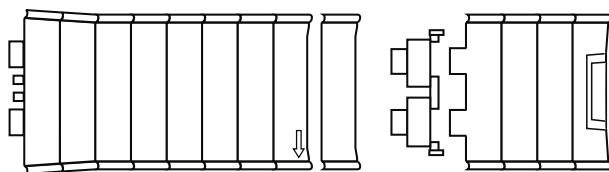
Press out the pin with the device 89.8250.00
in arrow direction.



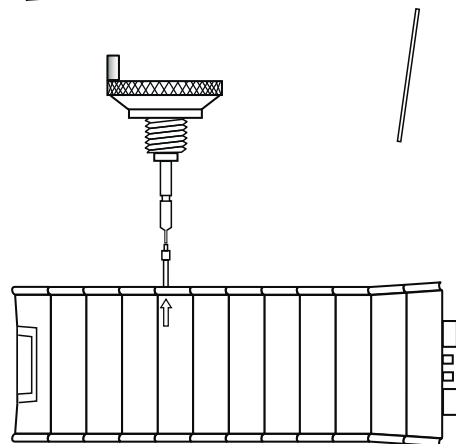
Remove the ceramics link.



Press out the pin of the centre chain with the tweezers.



Shorten the bracelet as desired.



Put the bracelet together and press in the pin
with the device 89.8250.00 against arrow direction.



RADO FLORENCE CLASSIC

Mirroring the silhouette of its urban namesake.

Perfectly round cases and edge-to-edge metallised sapphire crystals call to mind the elegant domes and towers of the city from which the collection takes its name. Harmonious.

RADO Florence Classic



Florence Classic Diamonds

R48913703



Diamonds



Case : Stainless steel with a PVD coated stainless steel bezel



Case back : Stainless steel



Crown : PVD coated stainless steel



Glass : Sapphire crystal, bevelled, metallised



Bracelet : Stainless steel with PVD coated stainless steel links



Clasp : Stainless steel 3-fold

7 612819 063805



R48912733 / 01.073.3912.4.073



BRACELET 07.02729



4 diamonds, 0.032 carat
8 diamonds, 0.030 carat
∅ 38.0 mm ± 8.7 mm

7 612819 061924



R48912713 / 01.073.3912.4.071



BRACELET 07.02738



4 diamonds, 0.026 carat
∅ 38.0 mm ± 8.7 mm

7 612819 061955



R48912013 / 01.073.3912.4.001



BRACELET 07.02738



∅ 38.0 mm ± 8.7 mm

7 612819 062020



R48912703 / 01.073.3912.4.070



BRACELET 07.02741



4 diamonds, 0.026 carat
∅ 38.0 mm ± 8.7 mm

7 612819 063812



R48912743 / 01.073.3912.4.074



BRACELET 07.02757



4 diamonds, 0.032 carat
8 diamonds, 0.030 carat
∅ 38.0 mm ± 8.7 mm

7 612819 062044



R48912153 / 01.073.3912.4.015



BRACELET 07.02746



∅ 38.0 mm ± 8.7 mm

7 612819 062044



R48912023 / 01.073.3912.4.002



BRACELET 07.02746



∅ 38.0 mm ± 8.7 mm

7 612819 063836



R48912763 / 01.073.3912.4.076



BRACELET 07.02758



4 diamonds, 0.032 carat
8 diamonds, 0.030 carat
∅ 38.0 mm ± 8.7 mm

7 612819 062235



R48912723 / 01.073.3912.4.072



BRACELET 07.02747



4 diamonds, 0.026 carat
∅ 38.0 mm ± 8.7 mm

7 612819 062211



R48914703 / 01.073.3914.4.070



BRACELET 07.02760



4 diamonds, 0.026 carat
∅ 38.0 mm ± 8.7 mm

7 612819 062181



R48916703 / 01.073.3916.4.070



BRACELET 07.02749



4 diamonds, 0.026 carat
∅ 38.0 mm ± 8.7 mm

7 612819 063775



R48913733 / 01.079.3913.4.073



BRACELET 07.02731



4 diamonds, 0.026 carat
8 diamonds, 0.016 carat
∅ 30.8 mm ± 7.8 mm

7 612819 061948



R48913713 / 01.079.3913.4.071



BRACELET 07.02739



4 diamonds, 0.015 carat
∅ 30.0 mm ± 7.8 mm

7 612819 061962



R48913013 / 01.079.3913.4.001



BRACELET 07.02739



∅ 30.0 mm ± 7.8 mm

7 612819 062013



R48913703 / 01.079.3913.4.070



BRACELET 07.02742



4 diamonds, 0.015 carat
∅ 30.0 mm ± 7.8 mm

7 612819 063782



R48913743 / 01.079.3913.4.074



BRACELET 07.02752



4 diamonds, 0.026 carat
8 diamonds, 0.016 carat
∅ 30.8 mm ± 7.8 mm

7 612819 062037



R48913153 / 01.079.3913.4.015



BRACELET 07.02745



∅ 30.0 mm ± 7.8 mm

7 612819 062167



R48913023 / 01.079.3913.4.002



BRACELET 07.02745



∅ 30.0 mm ± 7.8 mm

7 612819 063850



R48913763 / 01.079.3913.4.076



BRACELET 07.02759



4 diamonds, 0.026 carat
8 diamonds, 0.016 carat
∅ 38.0 mm ± 8.7 mm

7 612819 062242



R48913723 / 01.079.3913.4.072



BRACELET 07.02748



4 diamonds, 0.015 carat
∅ 30.0 mm ± 7.8 mm

7 612819 062228



R48915703 / 01.079.3915.4.070



BRACELET 07.02761



4 diamonds, 0.015 carat
∅ 30.0 mm ± 7.8 mm

7 612819 062204



R48917703 / 01.079.3917.4.070

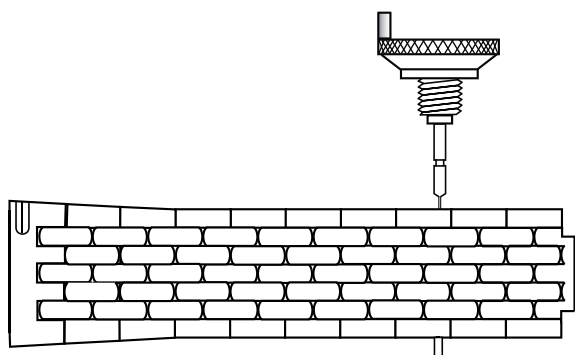


BRACELET 07.02751

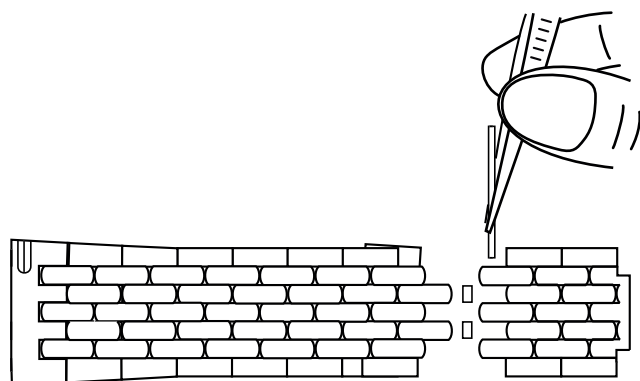


4 diamonds, 0.015 carat
∅ 30.0 mm ± 7.8 mm

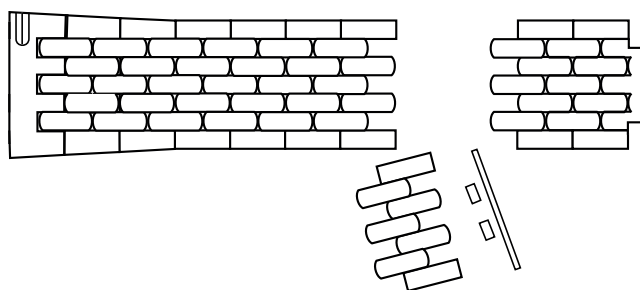
- 02729
- 02731
- 02738
- 02739
- 02741
- 02742
- 02745
- 02746
- 02747
- 02748
- 02749
- 02751
- 02752
- 02757
- 02758
- 02759
- 02760
- 02761



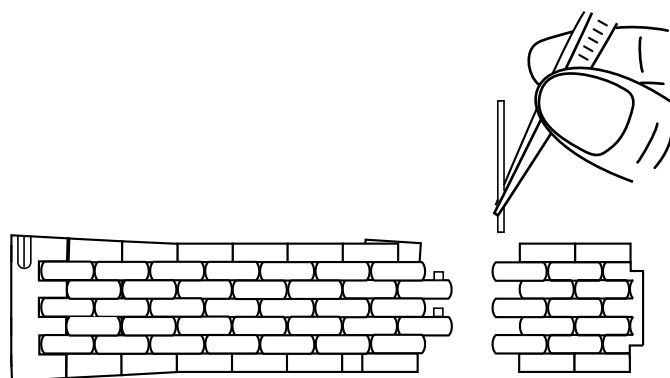
Press out the pin with the device 89.8250.00 in any direction.



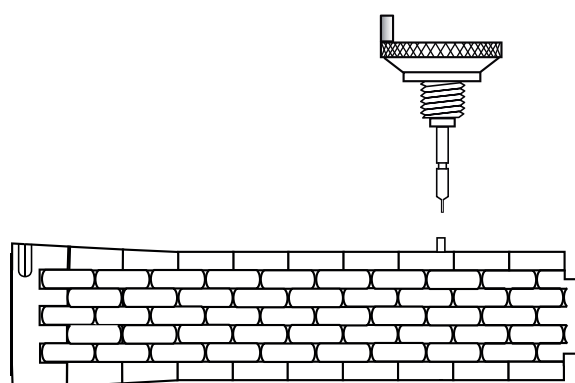
Turn the link and push out the tube.



Shorten the bracelet as desired.



Put the bracelet together and insert the tube into the bracelet link. Close the outer link.



Press in the pin with the device 89.8250.00 in any direction.



RADO COUPOLE CLASSIC

Distinguished and captivating

The Coupole Classic may have a family resemblance and take its name from the Coupole but it is a collection in its own right. Distinctive dials bring an air of vintage to a very modern collection. Enigmatic.

RADO





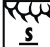


Coupole Classic



Couple Classic Power Reserve

R22878045



-  Case : Stainless steel
-   Case back : Stainless Steel with sapphire crystal
-  Crown : Stainless steel
-  Glass : Curved sapphire crystal with anti-reflective coating on both faces
-  Strap : Leather
-  Clasp : Stainless steel 3-fold

7 612819 061856



R22878163 / 01.772.3878.4.016



BRACELET 07.03662



∅ 41.0 mm ± 11.7 mm

7 612819 061863



R22878045 / 01.772.3878.4.104



COMPLETE STRAP 07.08985



CLASP ONLY 72.0053
LEATHER PARTS ONLY 76.05058

∅ 41.0 mm ± 11.7 mm

7 612819 062549



R22878313 / 01.772.3878.4.031



BRACELET 07.03679



∅ 41.0 mm ± 11.7 mm

7 612819 061887



R22879315 / 01.772.3879.2.131



COMPLETE STRAP 07.09043



CLASP ONLY 72.0056
LEATHER PARTS ONLY 76.05508

∅ 41.0 mm ± 11.7 mm

7 612819 061900



R22879325 / 01.772.3879.2.132



COMPLETE STRAP 07.09043



CLASP ONLY 72.0056
LEATHER PARTS ONLY 76.05508

∅ 41.0 mm ± 11.7 mm

7 612819 061894



R22879215 / 01.772.3879.2.121



COMPLETE STRAP 07.09043



CLASP ONLY 72.0056
LEATHER PARTS ONLY 76.05508

∅ 41.0 mm ± 11.7 mm

7 612819 057750



R22894153 / 01.734.3894.4.315



BRACELET 07.03662



∅ 41.0 mm ± 11.7 mm

7 612819 060033



R22894155 / 01.734.3894.4.115



COMPLETE STRAP 07.08985



CLASP ONLY 72.0053
LEATHER PARTS ONLY 76.05058

∅ 41.0 mm ± 11.7 mm

7 612819 057774



R22895025 / 01.734.3895.2.102



COMPLETE STRAP 07.09043



CLASP ONLY 72.0056
LEATHER PARTS ONLY 76.05508

∅ 41.0 mm ± 11.7 mm

7 612819 058597



R22894163 / 01.734.3894.4.316



BRACELET 07.03679



∅ 41.0 mm ± 11.7 mm

7 612819 057989



R22895215 / 01.734.3895.2.121



COMPLETE STRAP 07.09043



CLASP ONLY 72.0056
LEATHER PARTS ONLY 76.05508

∅ 41.0 mm ± 11.7 mm

7 612819 052182



R22876013 / 01.763.3876.4.201



BRACELET 07.03628



∅ 41.0 mm ± 10.3 mm

7 612819 053394



R22876015 / 01.763.3876.4.101



COMPLETE STRAP 07.08985



CLASP ONLY 72.0053
LEATHER PARTS ONLY 76.05058

∅ 41.0 mm ± 10.3 mm

7 612819 052212



R22877025 / 01.763.3877.2.102



COMPLETE STRAP 07.09043



CLASP ONLY 72.0056
LEATHER PARTS ONLY 76.05508

∅ 41.0 mm ± 10.3 mm

7 612819 052229



R22877165 / 01.763.3877.2.116



COMPLETE STRAP 07.09043



CLASP ONLY 72.0056
LEATHER PARTS ONLY 76.05508

∅ 41.0 mm ± 10.3 mm



7 612819 058641



R22910153 / 01.289.3910.4.015



BRACELET 07.03694



∅ 42.0 mm ± 10.3 mm



7 612819 058665



R22910123 / 01.289.3910.4.012



BRACELET 07.03696



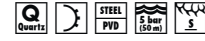
∅ 42.0 mm ± 10.3 mm



7 612819 058672



R22911205 / 01.289.3911.2.120



COMPLETE STRAP 07.09043



CLASP ONLY 72.0056

LEATHER PARTS ONLY 76.05508

∅ 42.0 mm ± 10.3 mm

7 612819 057644



R22860044 / 01.763.3860.4.304



BRACELET 07.03633



∅ 37.7 mm ± 10.2 mm

7 612819 057651



R22860204 / 01.763.3860.4.320



BRACELET 07.03633



∅ 37.7 mm ± 10.2 mm

7 612819 057453



R22860154 / 01.763.3860.4.315



BRACELET 07.03633



∅ 37.7 mm ± 10.2 mm

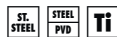
7 612819 057668



R22860027 / 01.763.3860.4.402



BRACELET 07.03678



∅ 37.7 mm ± 10.2 mm

7 612819 062112



R22860163 / 01.763.3860.4.316



BRACELET 07.03678



∅ 37.7 mm ± 10.2 mm

7 612819 062082



R22860075 / 01.763.3860.4.107



COMPLETE STRAP 07.09029



CLASP ONLY 72.0050
LEATHER PARTS ONLY 76.05269

∅ 37.7 mm ± 10.2 mm

7 612819 062105



R22860165 / 01.763.3860.4.116



COMPLETE STRAP 07.09034



CLASP ONLY 72.0050
LEATHER PARTS ONLY 76.05272

∅ 37.7 mm ± 10.2 mm

7 612819 050584



R22861165 / 01.763.3861.2.116



COMPLETE STRAP 07.09030



CLASP ONLY 72.0049
LEATHER PARTS ONLY 77.09030

∅ 37.7 mm ± 10.2 mm

7 612819 051352



R22861765 / 01.763.3861.2.176



COMPLETE STRAP 07.09030



CLASP ONLY 72.0049
LEATHER PARTS ONLY 77.09030

8 diamonds, 0.064 carat
∅ 37.7 mm ± 10.2 mm

7 612819 051369



R22861115 / 01.763.3861.2.111



COMPLETE STRAP 07.09030



CLASP ONLY 72.0049
LEATHER PARTS ONLY 77.09030

∅ 37.7 mm ± 10.2 mm

7 612819 064000



R22861065 / 01.763.3861.2.106



COMPLETE STRAP 07.09030



CLASP ONLY 72.0049
LEATHER PARTS ONLY 77.09030

∅ 37.7 mm ± 10.2 mm

7 612819 057675



R22862044 / 01.561.3862.4.304



BRACELET 07.03635



∅ 31.8 mm ± 9.7 mm

7 612819 057699



R22862027 / 01.561.3862.4.402



BRACELET 07.03674



∅ 31.8 mm ± 9.7 mm

7 612819 062099



R22862075 / 01.561.3862.4.107



COMPLETE STRAP 07.09031



CLASP ONLY 72.0051
LEATHER PARTS ONLY 76.05271

∅ 31.8 mm ± 9.7 mm

7 612819 051390



R22865765 / 01.561.3865.2.176



COMPLETE STRAP 07.09033



CLASP ONLY 72.0052
LEATHER PARTS ONLY 76.05270

8 diamonds, 0.052 carat
∅ 31.8 mm ± 9.7 mm

7 612819 051406



R22865115 / 01.561.3865.2.111



COMPLETE STRAP 07.09033



CLASP ONLY 72.0052
LEATHER PARTS ONLY 76.05270

∅ 31.8 mm ± 9.7 mm

7 612819 063997



R22865065 / 01.582.3865.2.106



COMPLETE STRAP 07.09033



CLASP ONLY 72.0052
LEATHER PARTS ONLY 76.05270

∅ 31.8 mm ± 9.7 mm



7 612819 062709



R22883913 / 01.084.3883.4.291



BRACELET 07.03673



∅ 34.0 mm ± 9.7 mm



7 612819 057194



R22883915 / 01.084.3883.4.191



COMPLETE STRAP 07.09081



CLASP ONLY 72.0051
LEATHER PARTS ONLY 77.09081

∅ 34.0 mm ± 9.7 mm



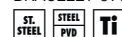
7 612819 057200



R22882923 / 01.084.3882.4.292



BRACELET 07.03672



4 diamonds, 0.026 carat
8 diamonds, 0.016 carat
72 diamonds, 0.273 carat
∅ 34.0 mm ± 9.7 mm



7 612819 057637



R22883923 / 01.084.3883.4.092



BRACELET 07.03672



4 diamonds, 0.026 carat
8 diamonds, 0.016 carat
∅ 34.0 mm ± 9.7 mm



7 612819 057224



R22885945 / 01.084.3885.2.194



COMPLETE STRAP 07.09084



CLASP ONLY 72.0052
LEATHER PARTS ONLY 77.09084

∅ 34.0 mm ± 9.7 mm

7 612819 057842



R22897943 / 01.963.3897.4.094



BRACELET 07.03680



∅ 27.0 mm ± 6.7 mm

7 612819 057835



R22897903 / 01.963.3897.4.090



BRACELET 07.03680



4 diamonds, 0.026 carat
8 diamonds, 0.016 carat
∅ 27.0 mm ± 6.7 mm

7 612819 062129



R22897913 / 01.963.3897.4.091



BRACELET 07.03680



∅ 27.0 mm ± 6.7 mm

7 612819 057804



R22897923 / 01.963.3897.4.092



BRACELET 07.03691



4 diamonds, 0.026 carat
8 diamonds, 0.016 carat
∅ 27.0 mm ± 6.7 mm

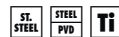
7 612819 057811



R22897933 / 01.963.3897.4.093



BRACELET 07.03691



∅ 27.0 mm ± 6.7 mm

7 612819 057798



R22896924 / 01.963.3896.2.292



BRACELET 07.03692



4 diamonds, 0.026 carat
8 diamonds, 0.016 carat
66 diamonds, 0.191 carat
∅ 27.0 mm ± 6.7 mm



Watches will still be delivered with standard leather straps. XS/XL leather straps are only available for order as spare parts.



XL STRAPS

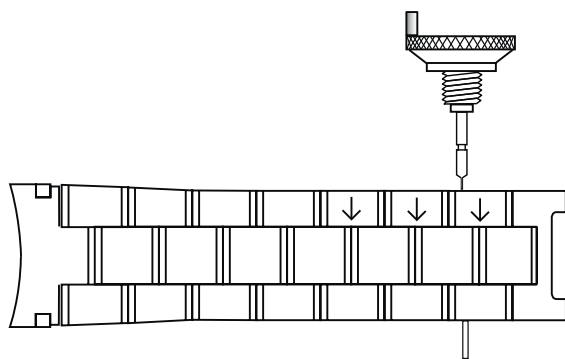
References	Complete strap	Color	Clasp only	Color	Leather parts only
01.561.3865.2.111	07.29033	brown	72,0052	rose gold	76,05433
01.561.3865.2.176	07.29033	brown	72,0052	rose gold	76,05433
01.582.3865.2.106	07.29033	brown	72,0052	rose gold	76,05433
01.734.3894.4.115	07.28985	black	72,0053	steel color	76,05435
01.763.3860.4.107	07.29029	black	72,0050	steel color	76,05430
01.763.3861.2.106	07.29030	brown	72,0049	rose gold	76,05432
01.763.3861.2.111	07.29030	brown	72,0049	rose gold	76,05432
01.763.3861.2.116	07.29030	brown	72,0049	rose gold	76,05432
01.763.3861.2.176	07.29030	brown	72,0049	rose gold	76,05432
01.763.3876.4.101	07.28985	black	72,0053	steel color	76,05435
01.772.3878.4.104	07.28985	black	72,0053	steel color	76,05435

Watches will still be delivered with standard leather straps. XS/XL leather straps are only available for order as spare parts.

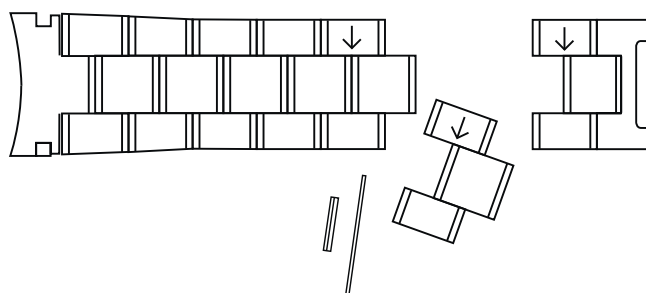


XS STRAPS

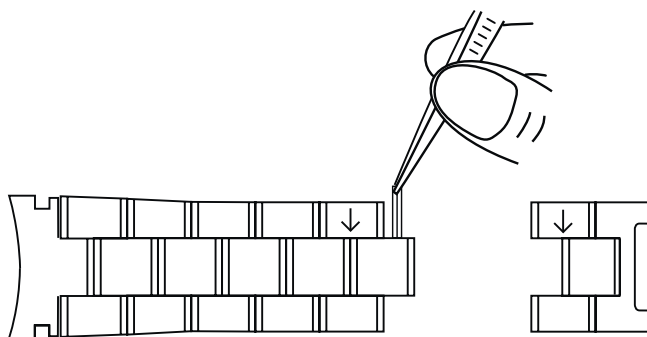
References	Complete strap	Color	Clasp only	Color	Leather parts only
01.289.3911.2.120	07.29043	brown	72,0056	rose gold	76,05788
01.561.3865.2.111	07.29033	brown	72,0052	rose gold	76,05505
01.561.3865.2.176	07.29033	brown	72,0052	rose gold	76,05505
01.582.3865.2.106	07.29033	brown	72,0052	rose gold	76,05505
01.734.3895.2.102	07.29043	brown	72,0056	rose gold	76,05788
01.734.3895.2.121	07.29043	brown	72,0056	rose gold	76,05788
01.763.3860.4.107	07.29029	black	72,0050	steel color	76,05509
01.763.3861.2.106	07.29030	brown	72,0049	rose gold	76,05512
01.763.3861.2.111	07.29030	brown	72,0049	rose gold	76,05512
01.763.3861.2.116	07.29030	brown	72,0049	rose gold	76,05512
01.763.3861.2.176	07.29030	brown	72,0049	rose gold	76,05512
01.763.3877.2.102	07.29043	brown	72,0056	rose gold	76,05788
01.763.3877.2.116	07.29043	brown	72,0056	rose gold	76,05788
01.772.3879.2.121	07.29043	brown	72,0056	rose gold	76,05788
01.772.3879.2.131	07.29043	brown	72,0056	rose gold	76,05788
01.772.3879.2.132	07.29043	brown	72,0056	rose gold	76,05788



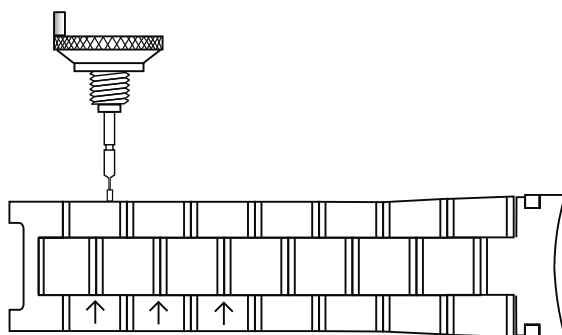
Press out the pin with the device 89.8250.00 in arrow direction.



Separate bracelet and shorten it as desired.

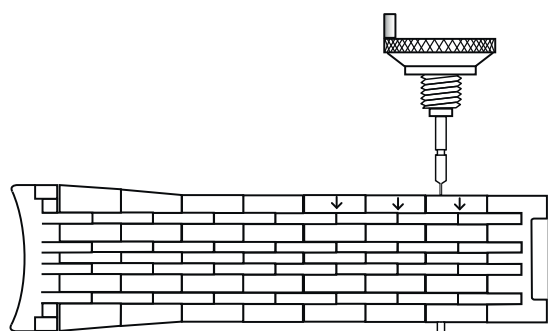


Insert the tube into the bracelet link in arrow direction.

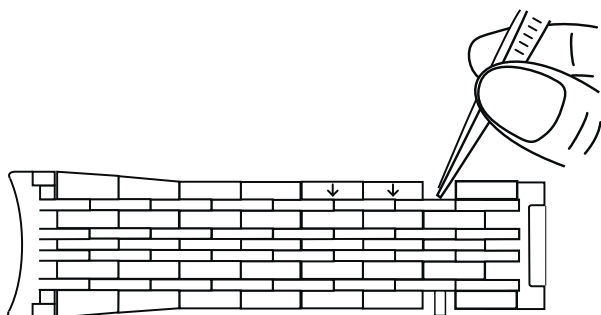


Put the bracelet together and turn it 180°. Insert the pin against the arrow direction and press it in.

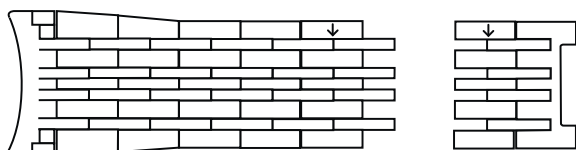
- 03633
- 03635
- 03662
- 03672
- 03673
- 03674
- 03678
- 03679
- 03680
- 03691
- 03692
- 03694
- 03696



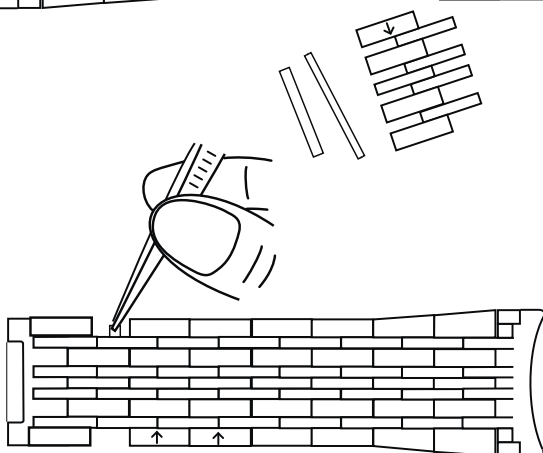
Press out the pin with the device 89.8250.00 in arrow direction.



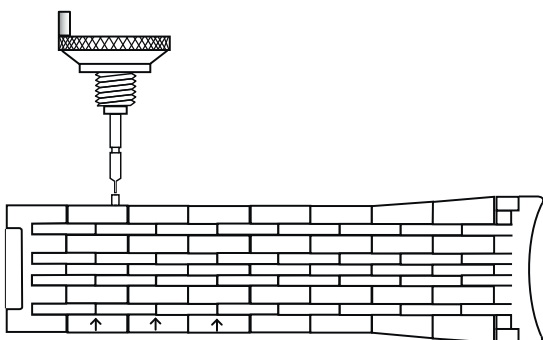
Turn the link and push out the tube.



Shorten the bracelet as desired.



Put the bracelet together and insert the tube into the link. Close the outer link.



Press in the pin with the device 89.8250.00 against arrow direction.



GOLDEN HORSE

A perfect blend of past and present

A vintage look signifying tradition, a captivating design that enchants, and the comfort of improved materials, is what sets the Golden Horse apart from all. A watch for those who appreciate understated sophistication but that won't go unnoticed. Unforgettable.

RADO

Golden Horse



Golden Horse

R33930313



ST.
STEEL

Case : Stainless steel

ST.
STEEL



Case back : Stainless steel with
3 stamped seahorses, screwed-down

ST.
STEEL

Crown : Stainless steel



Glass : Box shaped sapphire crystal with
anti-reflective coating on both faces

ST.
STEEL

Bracelet : Stainless steel

ST.
STEEL

Clasp : Stainless steel 3-fold
with 2 stamped seahorses

7 612819 058788



R33930153 / 01.763.3930.4.015



BRACELET 07.03910



Limited Edition of 1957 pieces
∅ 37.0 mm ± 10.8 mm

7 612819 059754



R33930203 / 01.763.3930.4.020



BRACELET 07.03910



Limited Edition of 1957 pieces
∅ 37.0 mm ± 10.8 mm

7 612819 059730



R33930313 / 01.763.3930.4.031



BRACELET 07.03910



Limited Edition of 1957 pieces
∅ 37.0 mm ± 10.8 mm

7 612819 058764



R33930355 / 01.763.3930.4.135

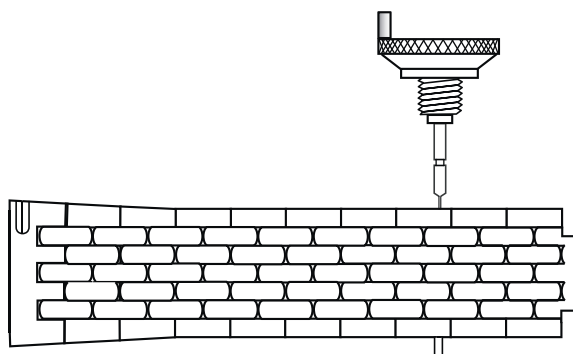


COMPLETE STRAP 07.09116

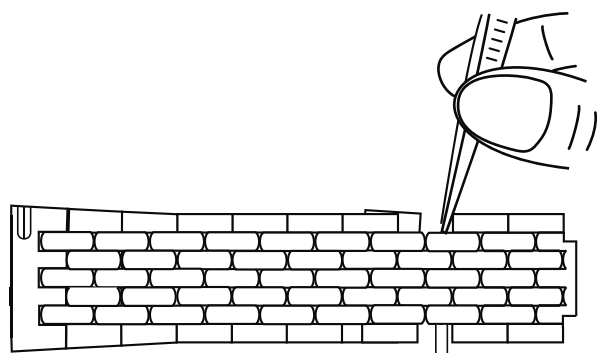


CLASP ONLY 62.0063
LEATHER PARTS ONLY 77.09116

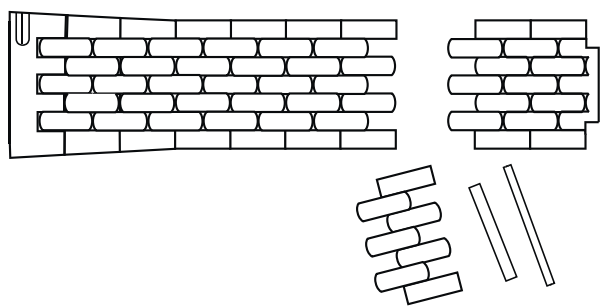
Limited Edition of 1957 pieces
∅ 37.0 mm ± 10.8 mm



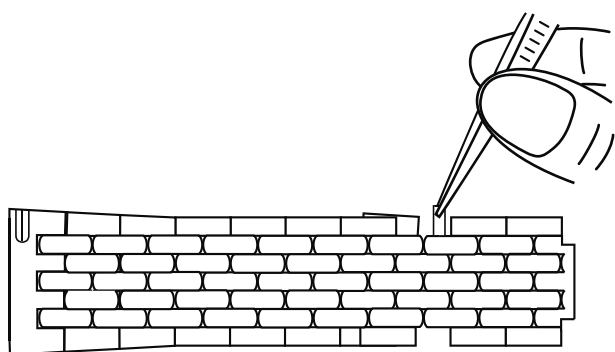
Press out the pin with the device 89.8250.00 in any direction.



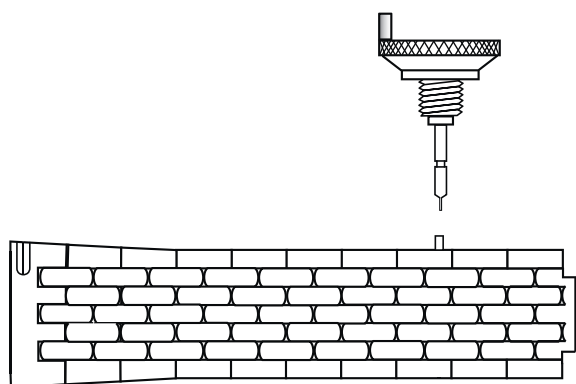
Turn the link and push out the tube.



Shorten the bracelet as desired.



Put the bracelet together and insert the tube into the bracelet link. Close the outer link.



Press in the pin with the device 89.8250.00 in any direction.



HYPERCHROME CLASSIC

A bold design statement.

The HyperChrome Classic goes back to the first watches launched under the Rado brand name in 1957. Its modern successors combine bold colours and shapes with groundbreaking high-tech plasma ceramic and rose gold-coloured Ceramos. Stylish.

RADO HyperChrome Classic



HyperChrome Classic Diamonds

R33100703



Diamonds



Case : Stainless steel



Bezel: Ceramos™



Case back : Titanium with sapphire crystal



Crown : Stainless steel



Glass : Box-shaped sapphire crystal with anti-reflective coating on both faces



Bracelet: Stainless steel with EasyClip System

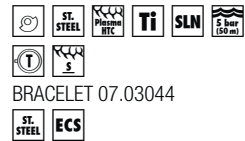


Clasp: Stainless steel 3-fold

7 612819 059075



R33101203 / 01.763.6101.3.220



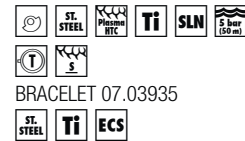
BRACELET 07.03044

∅ 42.0 mm ÷ 10.4 mm

7 612819 059068



R33101314 / 01.763.6101.3.031



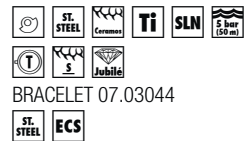
BRACELET 07.03935

∅ 42.0 mm ÷ 10.4 mm

7 612819 060675



R33100703 / 01.763.6100.3.070



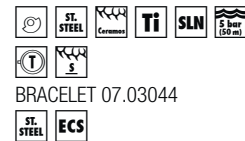
BRACELET 07.03044

12 diamonds, 0.096 carat
∅ 42.0 mm ÷ 10.4 mm

7 612819 059020



R33100103 / 01.763.6100.3.010



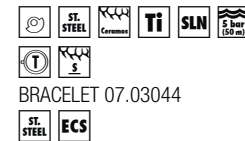
BRACELET 07.03044

∅ 42.0 mm ÷ 10.4 mm

7 612819 059037



R33100013 / 01.763.6100.3.001



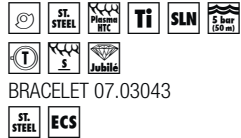
BRACELET 07.03044

∅ 42.0 mm ÷ 10.4 mm

7 613285 447915



R33103713 / 01.561.6103.3.071



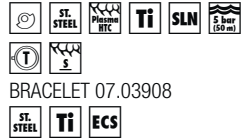
BRACELET 07.03043

12 diamonds, 0.078 carat
∅ 35.0 mm ± 10.1 mm

7 612819 059112



R33103314 / 01.561.6103.3.031



BRACELET 07.03908

∅ 35.0 mm ± 10.1 mm

7 612819 060699



R33102703 / 01.561.6102.3.070



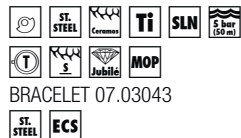
BRACELET 07.03043

12 diamonds, 0.078 carat
∅ 35.0 mm ± 10.1 mm

7 612819 059129



R33102903 / 01.561.6102.3.090



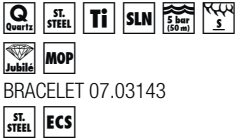
BRACELET 07.03043

12 diamonds, 0.078 carat
∅ 35.0 mm ± 10.1 mm

7 612819 060866



R33099918 / 01.082.6099.3.591



BRACELET 07.03143

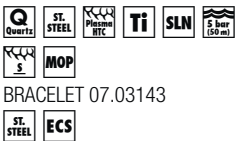
60 diamonds, 0.300 carat
Additional black leather strap
Additional red leather strap
Additional black travel pouch
∅ 35.0 mm × 10.1 mm



7 612819 060859



R33104918 / 01.082.6104.3.591



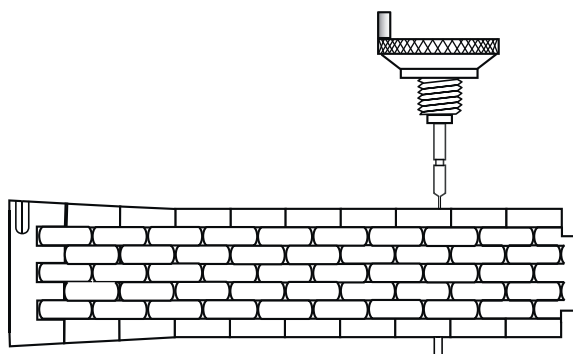
BRACELET 07.03143

Additional black leather strap
Additional red leather strap
Additional black travel pouch
∅ 35.0 mm × 10.1 mm

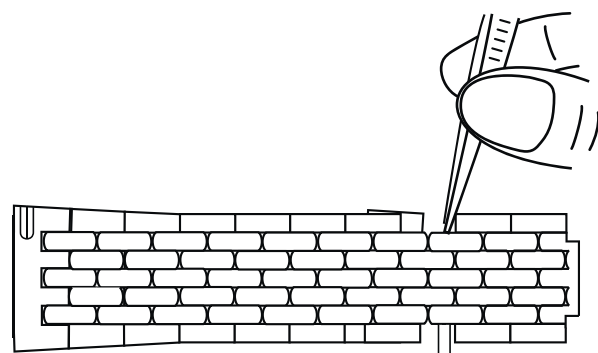


REFERENCES

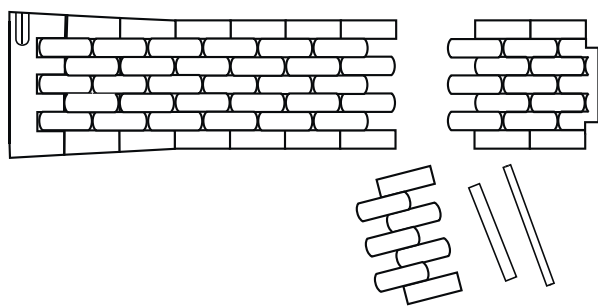
03043
03044
03143



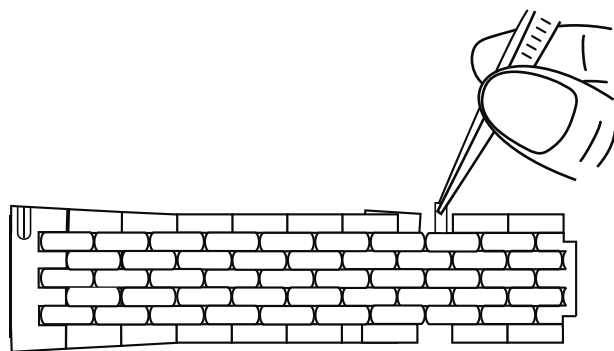
Press out the pin with the device 89.8250.00 in any direction.



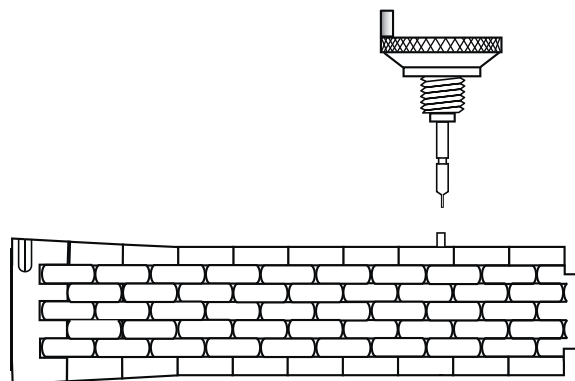
Turn the link and push out the tube.



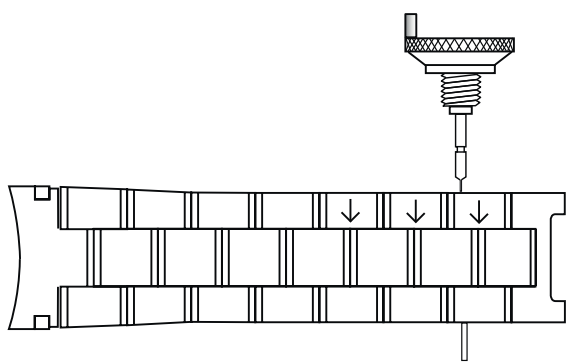
Shorten the bracelet as desired.



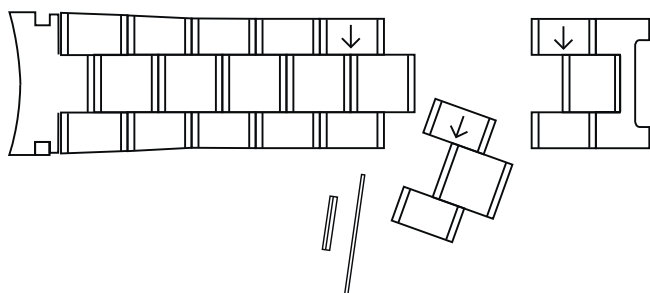
Put the bracelet together and insert the tube into the bracelet link. Close the outer link.



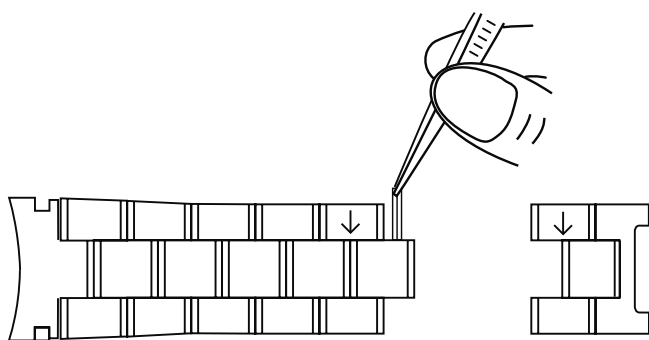
Press in the pin with the device 89.8250.00 in any direction.



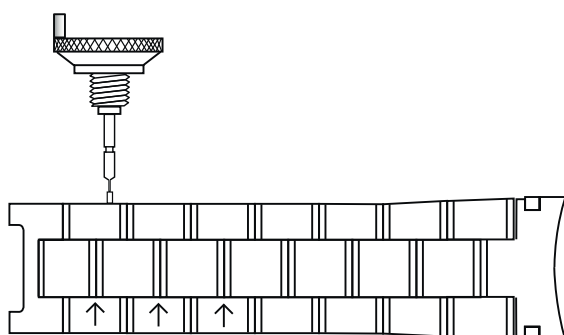
Press out the pin with the device 89.8250.00
in arrow direction.



Separate bracelet and shorten it as desired.



Insert the tube into the bracelet link
in arrow direction.



Put the bracelet together and turn it 180°.
Insert the pin against the arrow direction and
press it in.

CUSTOMER SERVICE

Rado watches are durable products for which customer service plays an important role. Rado has an international service network, which assures a perfect servicing of Rado watches – worldwide.



CUSTOMER SERVICE



REFERENCE NUMBER OF MOVEMENT

Calibre	ETA base	Type	Deviation seconds/day	Dimension ""	Jewels	Power reserve
R557	2671	A	0 to +20	7¾	25	38hrs
R561	2671	A	0 to +20	7¾	25	38hrs
R580	2681	A	0 to +20	8¾	25	38hrs
R582	C26.111	A	0 to +16	7¾	24	48hrs
R586	C26.161	A	0 to +10	8¾	24	48hrs
R603	A05.H31	A	0 to +10	13¾	25	54hrs
R650	2894-2	A	0 to +10	12½	37	42hrs
R734	C07.631	A	0 to +10	11½	25	80hrs
R763	C07.611	A	0 to +10	11½	25	80hrs
R764	C07.621	A	0 to +10	11½	25	80hrs
R766	A31.L01	A	0 to +10	11½	21	80hrs
R771	C07.661	A	0 to +10	11½	25	80hrs
R772	C07.671	A	0 to +10	11½	25	80hrs
R773	C07.881	A	0 to +10	11½	25	80hrs
R773 Chronometer	C07.881	A	0 to +6	11½	25	80hrs
R801	A31.211	A	0 to +10	12½	37	59hrs
R808	C07.901	A	0 to +10	11½	25	80hrs
R862	C07.711	M	0 to +10	11½	17	80hrs

A = Automatic M = Mechanical

Calibre	ETA base	Type	Deviation seconds/day	Dimension ""	Battery used Renata	Battery dimension mm	Jewels	Average lifetime of battery/years
R073	F06.412	Q	0,5	11½	371	9.5 x 2.0	3	4
R079	F03.412	Q	0,5	7¾	364	6.8 x 2.1	3	2.5
R082	F04.412	Q	0,5	8¾	364	6.8 x 2.1	3	4
R084	F05.841	Q	0,5	10½	371	9.5 x 2.0	3	4
R111	956.112	Q	0,5	7¾	364 / 377	6.8 x 2.1 / 6.8 x 2.6	7	3 / 4
R114	955.422	Q	0,5	10½	371 / 395	9.5 x 2.0 / 9.5 x 2.7	7	4 / 4
R115	955.102	Q	0,5	11½	371 / 395	9.5 x 2.0 / 9.5 x 2.7	7	4 / 4
R129	956.412	Q	0,5	8¾	362 / 397	7.9 x 2.1 / 7.9 x 2.6	7	3.5 / 4
R140	210.001	Q	0,5	9	346	7.9 x 1.2	8	3.5
R153	976.001	Q	0,5	5½ x 6¾	321	6.8 x 1.6	6	4
R212	E61.101	Q	0,5	8¾	364	6.8 x 2.1	8	3.5
R218	E63.111	Q	0,5	10½	373	9.5 x 1.6	8	3.5
R289	E57.251	Q	0,5	13¾	380X	9.5 x 3.6	0	4
R312	251.274	Q	0,5	13¾	394	9.5 x 3.6	22	2.5
R318	980.106	Q	0,5	5½ x 6¾	317 / 379	5.8 x 1.6 / 5.8 x 2.1	7	2 / 3
R370	251.264	Q	0,5	5½ x 6¾	394	9.5 x 3.6	27	2.5
R420	282.001	Q	0,5	5½ x 8	346	7.9 x 1.2	13	4
R963	280.002	Q	0,5	3¾ x 6¾	321	6.8 x 1.6	5	4

Q = Quartz



CONTENT OF BRACELET KIT 89.8150.01

1	89.1052.01	Tool for screwing on leather straps
2	89.1087.02	Grease Fomblin
3	89.1094.00	Tool for screwing on bracelets
4	89.1101.03	Tool for fitting and removing spring-bars
5	89.4006.10	Oiler, black
6	89.4020.10	Screwdriver Ø 1.60mm
7	89.4020.11	2x Spare blades Ø 1.60mm
8	89.4021.10	Screwdriver Ø 2.00mm
9	89.4021.11	2x Spare blades Ø 2.00mm
10	89.4022.10	Screwdriver Ø 2.50mm
11	89.4022.11	2x Spare blades Ø 2.50mm
12	89.4035.10	Hammer
13	89.4062.10	Eyeglass 2.5x
14	89.4077.20	Flat plier
15	89.4100.00	Hard rubber support to shorten rubber straps
16	89.4105.10	Tweezers
17	89.6002.00	Measure tape for wrist
18	89.8080.00	Knife with watch case opener
19	89.8250.00	Rado bracelet shortening device
20	89.8250.01	5x Spare pins Ø 0.70mm, 6.00mm short
21	89.8250.02	5x Spare pins Ø 0.70mm, 12.00mm long

Every part can be individually re-ordered.

BRACELET SHORTENING KIT INSTRUCTIONS

PREPARATION OF DEVICE



1. Place the device in front of you.
* Container for spare pins.



2. Push out the sliding rail from the bottom side.

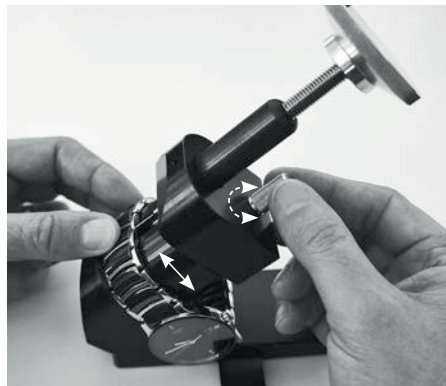


3. Fix the rail on the respective notch.

DISASSEMBLY OF BRACELET



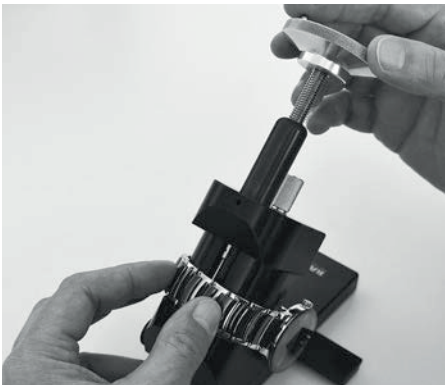
4. Check the arrow direction on the inside of the bracelet, if there is one. Place the complete watch on the device. The arrow on the bracelet should be directed downward.



5. Adjust the height of the platform by turning the knob.



6. The pin extractor must be positioned precisely in the middle of the hole.



7. Push out the bracelet pin by turning the wheel.

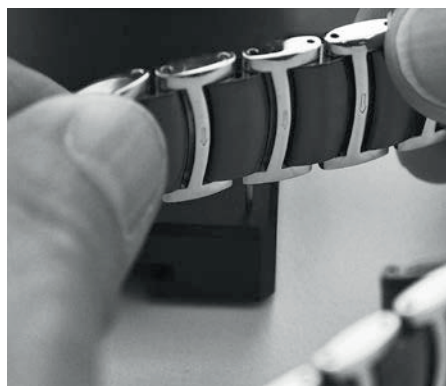


8. Pull out the complete pin with the flat plier.
Repeat point 6 – 8 and shorten the bracelet as desired.

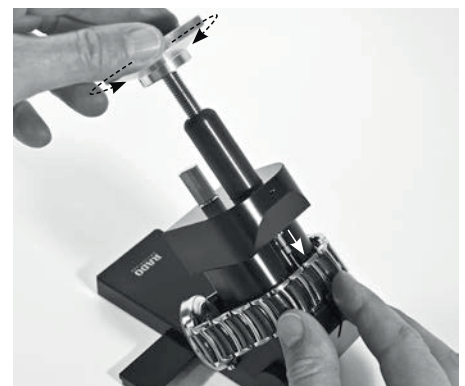
ASSEMBLY OF BRACELET



9. Place the pin in the respective hole on the back of the device.



10. Assemble the bracelet and press it down over the pin (against the direction of the arrow, if there is one).



11. Push in the pin completely by using the short pin. Check the bracelet.

INFORMATION ABOUT RADO LEATHER STRAPS

In the collection book below the picture of the watch you can find up to three different references.

You can order the following parts:	Example:
Complete strap (including clasp)	07.08985
Clasp only (without leather parts)	72.0053
Leather parts only (without clasp)	76.05058



R22876015 / 01.763.3876.4.101



COMPLETE STRAP 07.08985
 ST. STEEL
 CLASP ONLY 72.0053
 LEATHER PARTS ONLY 76.05058



07.08985



72.0053



76.05058

∅ 41.0 mm 10.3 mm

PRODUCT ENVIRONMENT

STANDARD WATCH BOX – 08.185 – LAUNCH 2023

Concept: Refined design: this box will be delivered along with the watches which do not qualify for the High-End Watch Box.

Delivery: The Standard Watch Box will be delivered along with the watch as a separate item, i.e. the watch will not be packed into the box.



STANDARD WATCH BOX – 08.181

Concept: Refined design: this box will be delivered along with the watches which do not qualify for the High-End Watch Box.

Delivery: The Standard Watch Box will be delivered along with the watch as a separate item, i.e. the watch will not be packed into the box.



SPECIAL WEDDING WATCH BOX – 08.462

Concept: A special box designed for couples watches. Refined and luxurious, this box will be delivered incl. selvyt, along with the watches.

Delivery: The Special Wedding Watch Box will be delivered as a separate item along with the watches, i.e. the watches will not be packed in the box.
Available on demand.



TRAVELLER PACKAGING – 08.243

Concept: Refined design, compact case, ideal for travelling with your Rado.

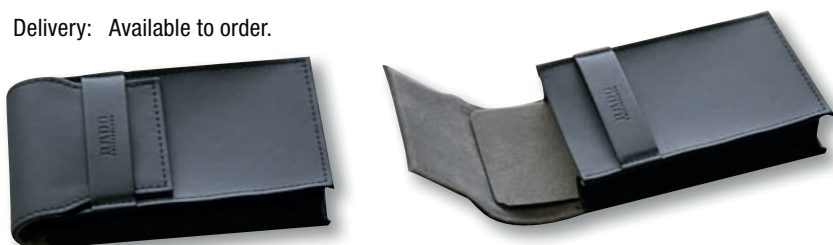
Delivery: Available to order.



TRAVEL POUCH – 08.245

Concept: Refined design, compact case, ideal for travelling with your Rado.

Delivery: Available to order.



WATCH WINDER – 08.463

Concept: The Rado branded watch winder should be used as an exclusive gift for key customers: this item will be delivered incl. user manual.

Delivery: The watch winder will be delivered as a separate item.



INSTRUCTION MANUAL

Concept: Refined, simplified design and handling: the new Rado instruction manual is available in one edition containing 34 languages. The new edition contains the guarantee guidelines, the product information and the service center addresses. The full version of the manual with instructions for setting the time are available over the QR-Code (see section Quick-Start Guide - 20.0093) or under www.rado.com/customer-service/warranty.

Delivery: The manual will not be delivered along the watches. For a paper version, please contact our service center: contact@rado.com



CARDHOLDER – 20.0085 – LAUNCH 2023

Concept: Refined design and simplification of handling.

Delivery: The cardholder will be delivered along with the watch.



CARDHOLDER – 20.0087

Concept: Refined design and simplification of handling.

Delivery: The cardholder will be delivered along with the watch incl. Quick-Start Guide and Selvyt.



QUICK-START GUIDE - 20.0093

Concept: Refined design and simplification of handling.

Delivery: The Quick-Start Guide will be delivered along the cardholder and selvyt or can be ordered separately. The Instructions for setting the time are available over the QR-Code or under www.rado.com/customer-service/warranty.



“WARRANTY” STANDARD CARD – 20.0083

Concept: Refined design and authentication mark (card identification).

Delivery: This card will be delivered along with the watch and will include the following information:

- Reference no.
- Calibre no.
- Serial no.

Note: If a warranty card needs to be replaced, please contact Order Management at Rado Switzerland (see appendix).



Watch identification

Must be filled in by the retailer manually

card identification



“WARRANTY” EXCHANGE CARD – 20.0088

Concept: Refined design and authentication mark (Identification mark).

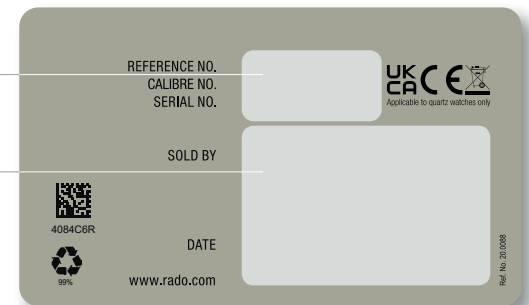
Delivery: This card will be delivered in a limited quantity and should be used for urgent exchanges only.

Note: Please contact Order Management at Rado Switzerland to order this card (see appendix).



Must be filled in by the retailer manually

Must be filled in by the retailer manually



“PRECIOUS STONES” CARD – 20.0092

Concept: Refined design and detailed information: a watch qualifying for this card bears at least one precious stone and/or is made of precious metal.

Delivery: This card will be delivered along with the watch and includes the following information:

- Reference no.
- Calibre no.
- Serial no.
- Precious stone type, number, quality and caratage
- Gold weight (where it applies)

Note: If a card needs to be replaced, please contact Order Management at Rado Switzerland (see appendix).



REFERENCE NO. 01.219.3852.4.071 PIC R22852713 SERIAL NO. 13283633

	GEM	QTY	COLOUR	CLARITY	CUT	CARAT
DIAL	DIAMOND	4	TOP WESSELTON	VS-SI	FULL CUT	0.028

Our diamonds have been purchased from legitimate sources and involved in funding conflict and are in compliance with the United Nations resolutions. We hereby guarantee that these diamonds are conflict-free, based on personal knowledge and the written guarantees provided by the supplier of our diamonds.

Example 1:
Watch with diamond on the dial only

REFERENCE NO. 01.152.8.167.4.071 PIC R09167718 SERIAL NO. 04296923

	GEM	QTY	COLOUR	CLARITY	CUT	CARAT
DIAL	DIAMOND	3	TOP WESSELTON	VS	FULL CUT	0.027
	DIAMOND	1	TOP WESSELTON	VS	8/8	0.026
CASE	DIAMOND	58	TOP WESSELTON	VS	FULL CUT	0.522
BRACELET	DIAMOND	174	TOP WESSELTON	VS	FULL CUT	1.250
GOLD	AU 750 / WHITE / 115.900g					

Our diamonds have been purchased from legitimate sources not involved in funding conflict and are in compliance with the United Nations resolutions. We hereby guarantee that these diamonds are conflict-free, based on personal knowledge and the written guarantees provided by the supplier of our diamonds.

Example 2:
Gold watch with diamonds on dial, case and bracelet

“CHRONOMETER” CARD – 20.0090

Concept: Refined design and simplification of handling: this card replaces the print certificates issued by the COSC, the official Swiss agency responsible for certification of wristwatch movements.

Delivery: This card will be delivered along with the watch and includes the following information:

- Reference no.
- Calibre no.
- Serial no.
- Movement no. (given by the COSC)

Note: If a card needs to be replaced, please contact Order Management at Rado Switzerland (see appendix).



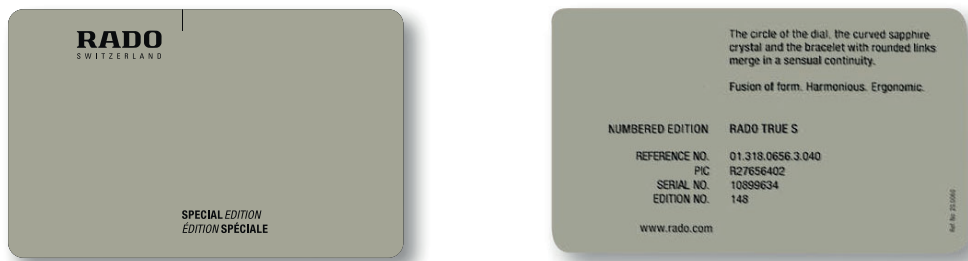
“SPECIAL EDITION” CARD – 20.0092

Concept: Refined design and simplification of handling: this card replaces the print certificates issued with limited, numbered or special edition watches.

Delivery: This card will be delivered along with the watch and includes the following information:

- Reference no.
- Calibre no.
- Serial no.
- Type of edition (numbered, limited or special)
- Edition no.
- Short text about the product

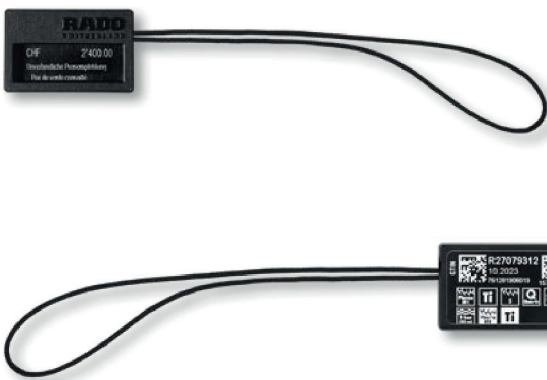
Note: If a card needs to be replaced, please contact Order Management at Rado Switzerland (see appendix).



PRICE TAG – 20.0052

Concept: Refined design.

Delivery: The Price Tag will be delivered along with the watch.



Example 1



Example 2



- PIC
- DataMatrix-Code for Serial no.
- Approximate battery expiry date (month/year)
- The pictograms drawn in black refer to the watch head
- The pictograms drawn in white refer to the bracelet
- Global Trade Item Number (GTIN)
- There is no approximate battery expiry date (month/year) for watches with mechanical movements

“INFORMATION” LABEL

Reference	01.153.0201.3.071	General Information	Reference	01.766.6067.3.415
PIC	R20201712		PIC	R14067156
Serial Number	14810116	There is no approximate battery expiry date (month/year) for mechanical watches	Serial Number	15381744
Movement Type	153		Movement Type	766
Battery expiry date	06.2021	The corresponding product environment is listed	PRODUCT ENVIRONMENT	
PRODUCT ENVIRONMENT Shipped separately			Shipped separately	
Box standard	08.179	Box standard	08.179	
Instruction Manual V1	20.0061	Instruction Manual V1	20.0061	
Cardholder	20.0085	Cardholder	20.0085	
Included in PET-packaging		Included in PET-packaging		
Price Tag, black	20.0052	Price Tag, black	20.0052	
Card "Warranty" standard	20.0056	Card "Warranty" US/JP	20.0057	
Card 2 crown pos	20.0071	Card Automatic Watches	20.0070	
Card "Precious Stones"	20.0058	Card 3 crown pos	20.0072	

OPERATIONS AT THE WAREHOUSE:

The product environment – which was delivered separately – must be prepared in accordance with the information on the label.

OPERATIONS AT THE POINT OF SALE:

Usually, the retailer will take the watch out of the PET-packaging in order to display the watch in the showcase.

The cardholder should be stored so that it can be found quickly once the watch is sold. The label must be thrown away when the watch is sold.

PET-PACKAGING

The complete environment (cards, labels and price tag) will be shipped together with the watch in the PET-packaging.



APPENDIX: EXCHANGE PROCEDURE FOR CARDS

The exchange procedure for cards is outlined below:

The handling of replacements should be as efficient as possible. We ask you to:

- collect the requests on your side
- forward them to Order Management no more than once per week
- send the requests as shown in the following example.

WATCH IDENTIFICATION		CARD IDENTIFICATION				REASON
REFERENCE OR CALIBRE NO.	SERIAL NO.	20.0083 WARRANTY	20.0091 PRECIOUS STONES	20.0090 CHRONOMETER	20.0092 SPECIAL EDITION	
R734	68452486				x	lost
R27106922	12347854	x				damaged
R32043712	39485243	x	x			lost

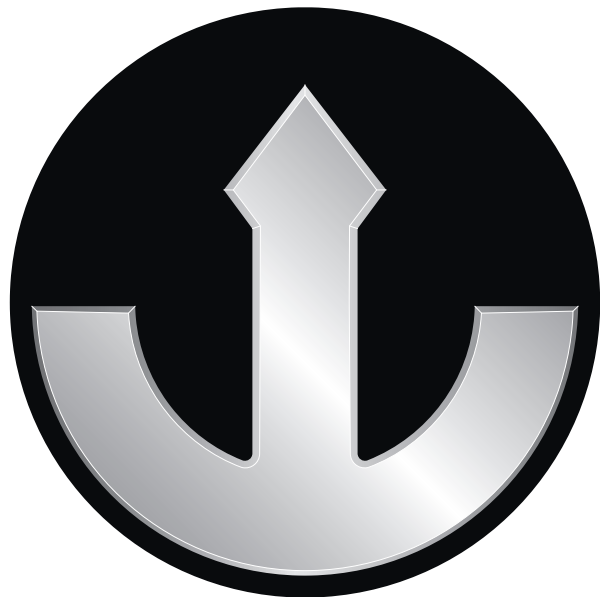
NOTE: IF A CARD MUST BE REPLACED BECAUSE THE ORIGINAL HAS BEEN LOST, YOU WILL BE INVOICED CHF 25.00 FOR EACH REPLACEMENT CARD. THIS ALSO APPLIES TO MISSING CARDS ON RETURNED SHIPMENTS.

If you state that a card is damaged, we will replace it free of charge.

SPECIAL PROCEDURE FOR THE CARD “WARRANTY” EXCHANGE

You may order the cards “Warranty” Exchange in a limited quantity, i.e. 1% of your yearly sales, free of charge. These cards should be used for immediate exchanges only.

Quantities above this limit will be charged at CHF 25.00 per card.





Quartz



Automatic



Automatic
Chronometer



Mechanical



Chronograph



Nivachron



5 positions



Moonphase



Power reserve
indicator



UTC

MOVEMENTS



High-tech
ceramic



Plasma
high-tech
ceramic



Ceramios™



Hardmetal



CVD-coated
hardmetal



PVD-coated
hardmetal



Sapphire
crystal



Sapphire
crystal with
anti-reflective
coating



Stainless steel



Stainless steel/
PVD

MATERIALS



Titanium



Titanium/
PVD



Super-
LumiNova®



Bronze



EasyClip
System



Leather



Leather, strap
also available
in XS/XL



Fabric



Caoutchouc /
Rubber



High-tech
loaded polymer
composite



Mother
of pearl



Screwed
crown



Screw-down
case back



Transparent
sapphire case
back

CASE
FEATURES



Water-resistant
3 bar (30 m)



Water-resistant
5 bar (50 m)



Water-resistant
10 bar (100 m)



Water-resistant
20 bar (200 m)



Water-resistant
30 bar (300 m)



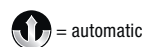
ISO 6425

WATER
RESISTANCE



Genuine
precious
stones

STONES



Symbols

